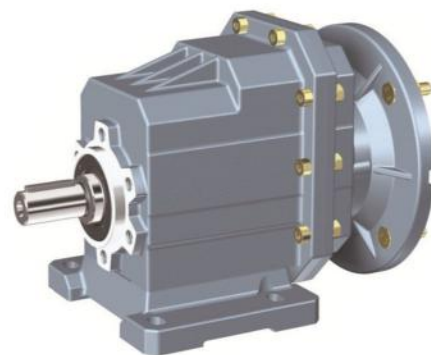


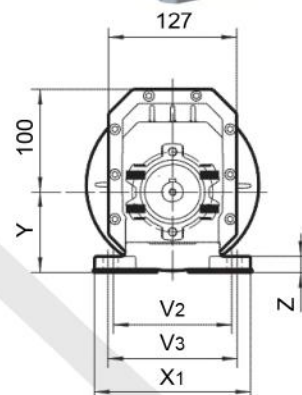
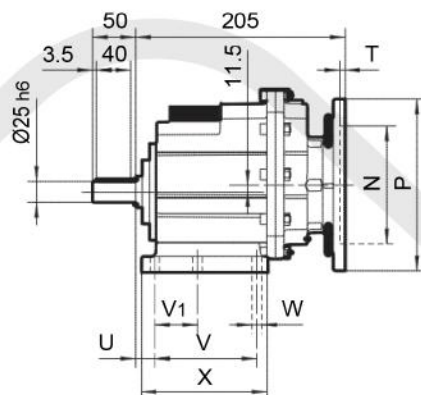
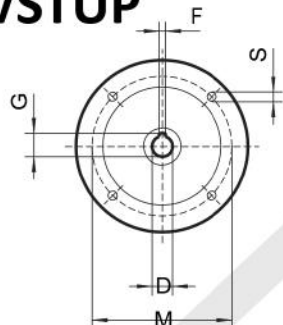
HG ČELNÁ PREVODOVKA HG 02

Rozmerové výkresy



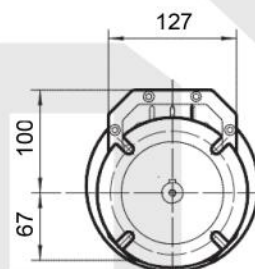
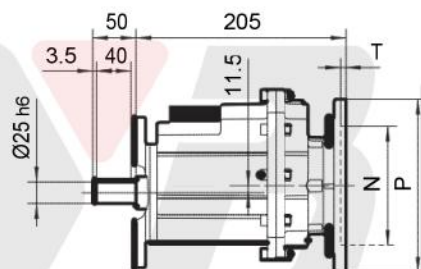
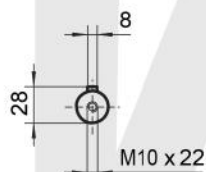
HG02..P(IEC)

VSTUP



HGF02..P(IEC)

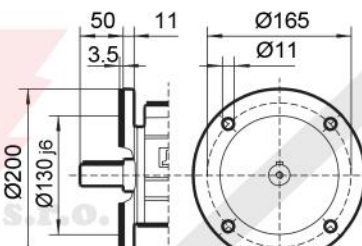
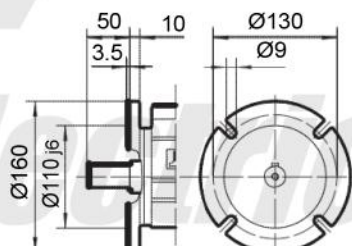
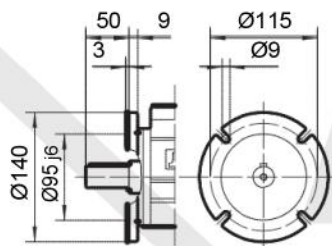
VÝSTUP



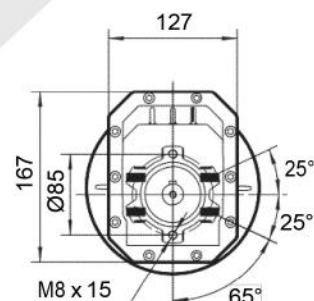
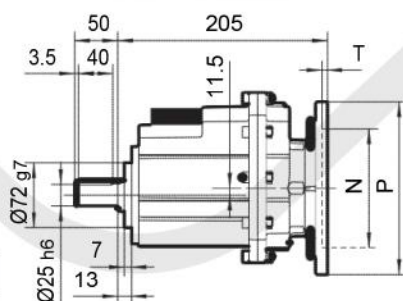
I
Ø140

II
Ø160

III
Ø200



HGZ02..P(IEC)



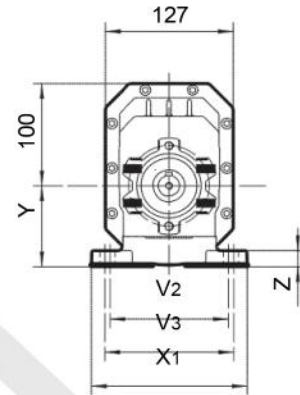
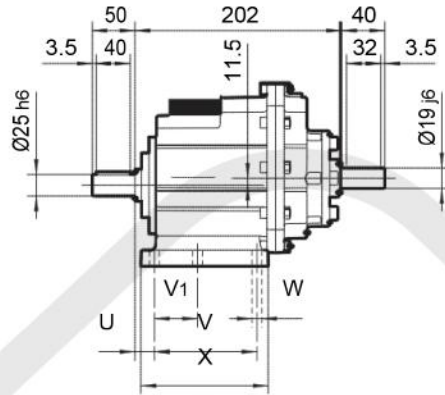
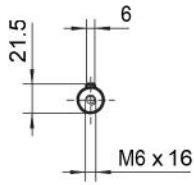
IEC	D	F	G	P	M	N	S	T
63B5	11	4	12.8	140	115	95	9	5
71B5	14	5	16.3	160	130	110	9	5
71B14	14	5	16.3	105	85	70	7	5
80B5	19	6	21.8	200	165	130	11	5
80B14	19	6	21.8	120	100	80	7	5
90B5	24	8	27.3	200	165	130	11	5
90B14	24	8	27.3	140	115	95	9	5

Kód pátky	U	V	V1	V2	V3	W	X	X1	Y	Z
B02	18	107.5	60	—	130	11	136	155	100	17
M02	25	85	—	110	120	9	112	145	80	15
M01	18	80	—	110	120	9	118	145	80	15
B01	18	87	50	110	—	9	118	130	90	15



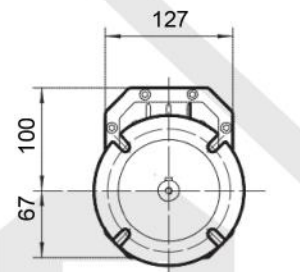
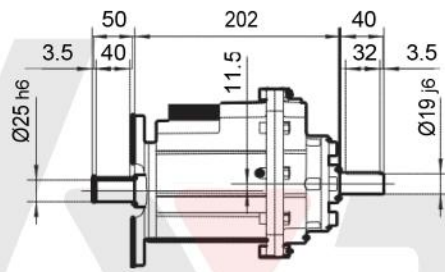
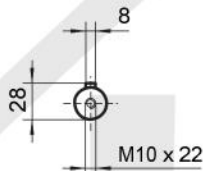
HG02..HS

VSTUP

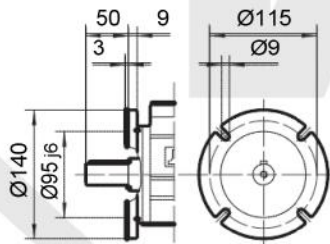


HGF02..HS

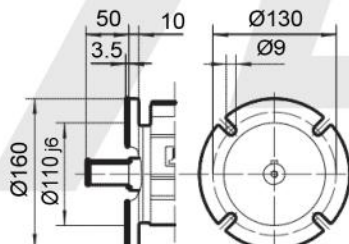
VÝSTUP



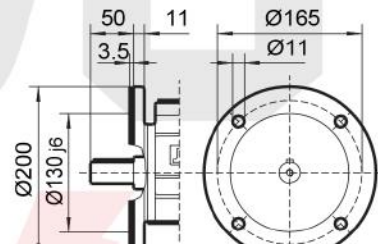
I
Ø140



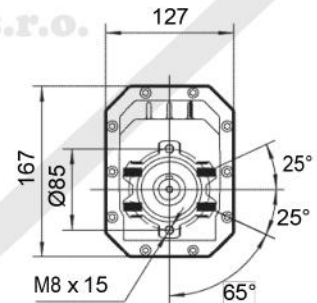
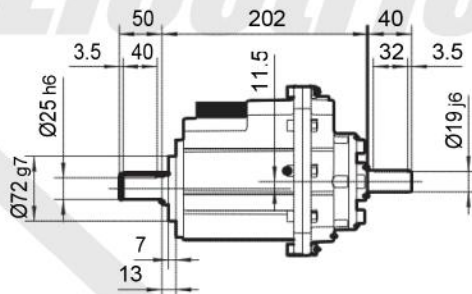
II
Ø160



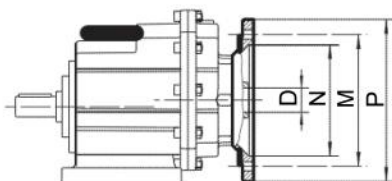
III
Ø200



HGZ02..HS



Kód pátky	U	V	V1	V2	V3	W	X	X1	Y	Z
B02	18	107.5	60	—	130	11	136	155	100	17
M02	25	85	—	110	120	9	112	145	80	15
M01	18	80	—	110	120	9	118	145	80	15
B01	18	87	50	110	—	9	118	130	90	15

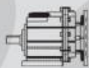
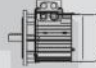


IEC	63B5	71B5	71B14	80B5	80B14	90B5	90B14	100B5	100B14	112B5	112B14
D_{E8}	11	14	19	24	28	28	28	28	28	28	28
P	140	160	105	200	140	200	140	250	160	250	160
M	115	130	85	165	115	165	115	215	130	215	130
N	95	110	70	130	95	130	95	180	110	180	110

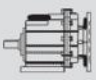
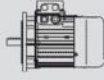
Prevodové pomery a vstup pre elektromotor

HG..02..P(IEC)				
i	63B5	71B5 71B14	80B5 80B14	90B5 90B14
54.00*				
46.46*				
40.60*				
35.91*				
28.88*				
23.85*				
20.08*				
17.10				
14.81*				
13.21				
12.05				
9.93				
8.78				
7.39				
5.45				
4.43				
3.66				

Tabuľka výberu prevodovky

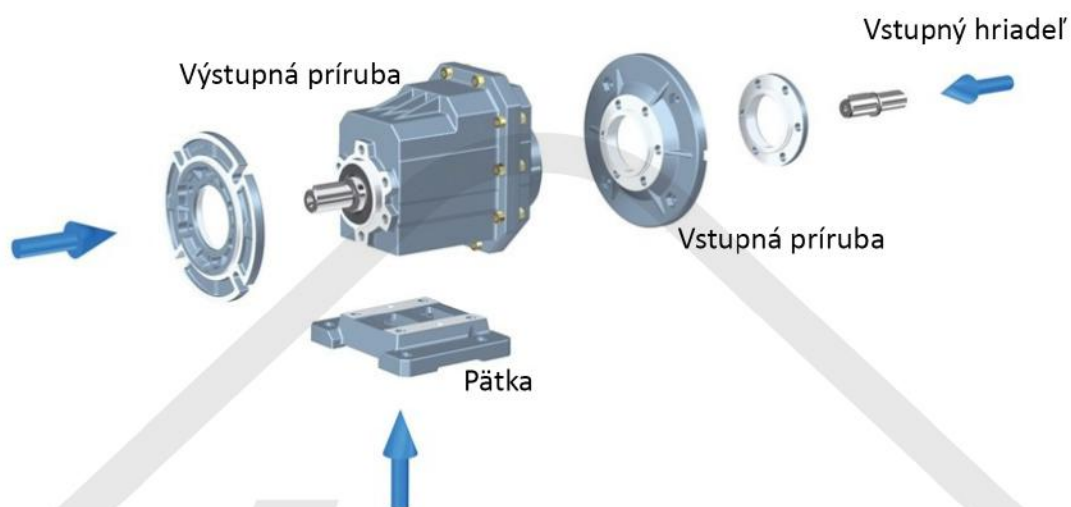
P_{1n} [kW]	n₂ [r/min]	M_{2n} [Nm]	i	f_s				
0.18	16.7	99	54.00*	2.0	HG02	71B5	71B5	
	19.4	85	46.46*	2.3	HGF02	71B5	71B5	
	22.2	74	40.60*	2.7	HGZ02	71B5	71B5	
	25.1	66	35.91*	3.0				
	31.2	53	28.88*	3.8				
	25.9	64	54.00*	3.1	HG02	63B5	63B5	
	30.1	55	46.46*	3.7	HGF02	63B5	63B5	
	34.5	48	40.60*	4.2	HGZ02	63B5	63B5	
	0.25	16.7	138	54.00*	1.5	HG02	71B5/B14	71B5/B14
		19.4	118	46.46*	1.7	HGF02	71B5/B14	71B5/B14
22.2		103	40.60*	1.9	HGZ02	71B5/B14	71B5/B14	
25.1		91	35.91*	2.2				
31.2		74	28.88*	2.7				
25.9		88	54.00*	2.3	HG02	71B5/B14	71B5/B14	
30.1		76	46.46*	2.6	HGF02	71B5/B14	71B5/B14	
34.5		66	40.60*	3.0	HGZ02	71B5/B14	71B5/B14	
39.0		59	35.91*	3.4				
48.5		47	28.88*	4.2				
0.37	16.7	204	54.00*	1.0	HG02	80B5/B14	80B5/B14	
	19.4	175	46.46*	1.1	HGF02	80B5/B14	80B5/B14	
	22.2	153	40.60*	1.3	HGZ02	80B5/B14	80B5/B14	
	25.1	135	35.91*	1.5				
	31.2	109	28.88*	1.8				
	25.9	131	54.00*	1.5	HG02	71B5/B14	71B5/B14	
	30.1	113	46.46*	1.8	HGF02	71B5/B14	71B5/B14	
	34.5	98	40.60*	2.0	HGZ02	71B5/B14	71B5/B14	
	39.0	87	35.91*	2.3				
	48.5	70	28.88*	2.9				
0.55	58.7	58	23.85*	3.5				
	81.9	41	17.10	3.9				
	19.4	260	46.46*	0.77	HG02	80B5/B14	80B5/B14	
	22.2	227	40.60*	0.88	HGF02	80B5/B14	80B5/B14	
	25.1	201	35.91*	1.0	HGZ02	80B5/B14	80B5/B14	
	31.2	162	28.88*	1.2				
37.7	134	23.85*	1.5					

Tabuľka výberu prevodovky

P_{1n} [kW]	n_2 [r/min]	M_{2n} [Nm]	i	f_s			
0.55	25.9	194	54.00*	1.0	HG02	80B5/B14	80B5/B14
	30.1	167	46.46*	1.2	HGF02	80B5/B14	80B5/B14
	34.5	146	40.60*	1.4	HGZ02	80B5/B14	80B5/B14
	39.0	129	35.91*	1.5			
	48.5	104	28.88*	1.9			
	58.7	86	23.85*	2.3			
	69.7	72	20.08*	2.8	HG02	80B5/B14	80B5/B14
	81.9	62	17.10	2.6	HGF02	80B5/B14	80B5/B14
	94.5	53	14.81*	3.7	HGZ02	80B5/B14	80B5/B14
0.75	31.2	221	28.88*	0.91	HG02	90B5/B14	90B5/B14
	37.7	182	23.85*	1.1	HGF02	90B5/B14	90B5/B14
	44.8	153	20.08*	1.3	HGZ02	90B5/B14	90B5/B14
	30.1	228	46.46*	0.88	HG02	80B5/B14	80B5/B14
	34.5	199	40.60*	1.0	HGF02	80B5/B14	80B5/B14
	39.0	176	35.91*	1.1	HGZ02	80B5/B14	80B5/B14
	48.5	142	28.88*	1.4			
	58.7	117	23.85*	1.7			
	69.7	99	20.08*	2.0			
	81.9	84	17.10	1.9			
	94.5	73	14.81*	2.7			
	106	65	13.21	2.5			
	116.2	59	12.05	3.4			
	141	49	9.93	3.3			
	159	43	8.78	2.8			
	189	36	7.39	3.3			
	257	27	5.45	3.7			
	97.0	71	28.88*	2.8	HG02	80B5/B14	80B5/B14
	117.4	59	23.85*	3.4	HGF02	80B5/B14	80B5/B14
	139.4	49	20.08*	4.1	HGZ02	80B5/B14	80B5/B14
	163.7	42	17.10	3.8			
1.1	39.0	259	35.91*	0.77	HG02	90B5/B14	90B5/B14
	48.5	208	28.88*	1.0	HGF02	90B5/B14	90B5/B14
	58.7	172	23.85*	1.2	HGZ02	90B5/B14	90B5/B14
	69.7	145	20.08*	1.4			
	81.9	123	17.10	1.3			
	94.5	107	14.81*	1.9	HG02	90B5/B14	90B5/B14
	106	95	13.21	1.7	HGF02	90B5/B14	90B5/B14
	116	87	12.05	2.3	HGZ02	90B5/B14	90B5/B14
	141	72	9.93	2.2			
	159	63	8.78	1.9			
	189	53	7.39	2.3			
	257	39	5.45	2.5			
	316	32	4.43	3.1			
	383	26	3.66	3.8			
	1.5	58.7	234	23.85*	0.85	HG02	90B5/B14
69.7		197	20.08*	1.0	HGF02	90B5/B14	90B5/B14
81.9		168	17.10	1.0	HGZ02	90B5/B14	90B5/B14
94.5		145	14.81*	1.4			
106		130	13.21	1.2			
116		118	12.05	1.7			
141		98	9.93	1.6			
159		86	8.78	1.4			
189		73	7.39	1.7			
257		54	5.45	1.9			
316		44	4.43	2.3			
383		36	3.66	2.8			
212		65	13.21	2.5	HG02	90B5/B14	90B5/B14
232		59	12.05	3.4	HGF02	90B5/B14	90B5/B14
282		49	9.93	3.3	HGZ02	90B5/B14	90B5/B14
319		43	8.78	2.8			
379		36	7.39	3.3			
514		27	5.45	3.7			



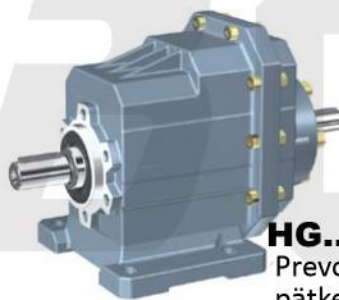
Štruktúra prevodovky



Modely



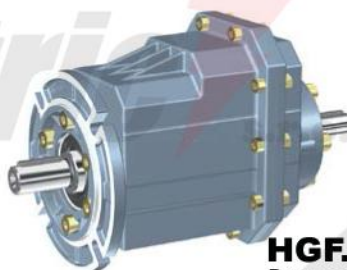
HG..P(IEC)
Prevodovka
s upevnením na pätku



HG..HS
Prevodovka s upevnením na
pätku a vstupom na hriadeľ



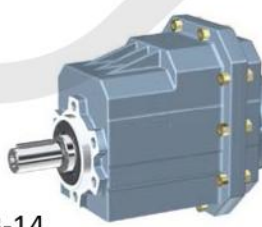
HGF..P(IEC)
Prevodovka s prírubou



HGF..HS
Prevodovka s prírubou a
vstupom na hriadeľ

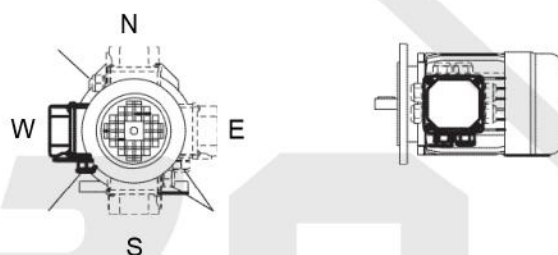
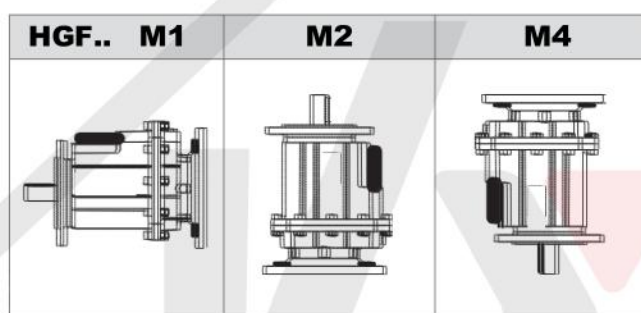
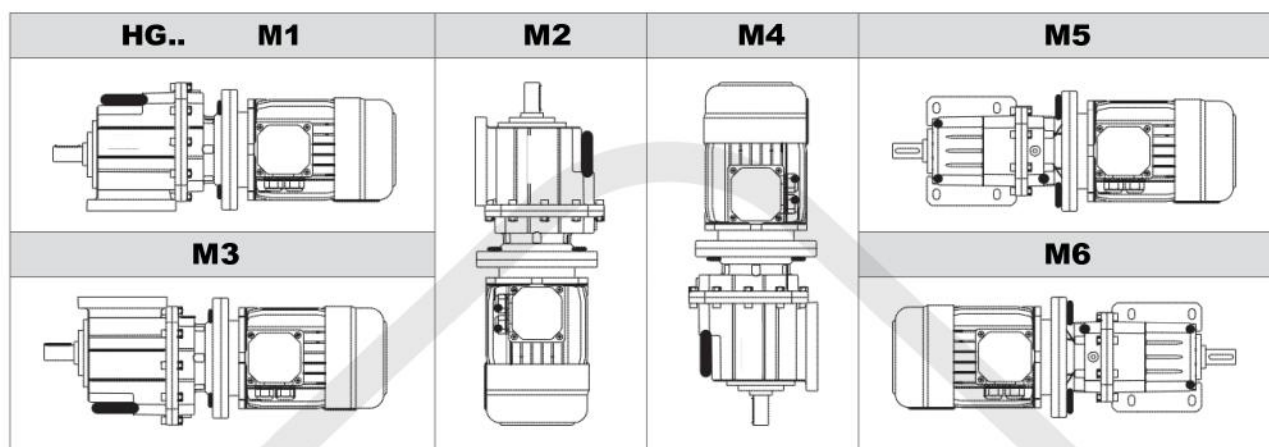


HGZ..P(IEC)
Prevodovka s prírubou B-14








HGZ..HS
Prevodovka s prírubou B-14
a vstupom na hriadeľ

Montážna poloha a orientácia svorkovnice



Mazanie

	 °C -50 0 +50 +100	 ISO	 SHELL	 MOBIL	 bp	TYP MAZANIA
HG..	标准 -10 +40 Standard	VG 220	Shell Omala 220	Mobilgear 630	BP GR-XP 220 BP Energol	Minerálny olej
	-20 +25	VG 150 VG 100	Shell Omala 100	Mobilgear 627	BP Energol GR-XP 100	
	-30 +10	VG 68-46 VG 32	Shell Tellus T 32	Mobil D.T.E. 13M		
	-40 -20	VG 22 VG 15	Shell Tellus T 15	Mobil D.T.E. 11M	BP Energol HLP-HM 15	
	-40 +80	VG 220	Shell Omala HD 220	Mobil SHC 630		Syntetický olej
	-40 +40	VG 150	Shell Omala HD 150	Mobil SHC 629		
	-40 +10	VG 32		Mobil SHC 624		