



Medium and high voltage electric motors

H27R series

Powerful, efficient and flexible

Modular performance electric motors series

Technical catalogue



General description

H27R-ODP, H27R-SR-ODP, H27R-WC, H27R-SR-WC, H27R, H27R-SR series medium-sized high voltage three phase asynchronous motors are our latest products which with advantages in and abroad, there are totally 6 frame size ranging from H355 to H560, and voltage 6kv and 10kv.

To develop these series motors, advanced analytic and calculation technology is used, fine materials and excellent workmanship are also adopted during manufacturing. All of those give series motor high efficiency, low noise, low vibration and high reliability.

These series motors comply with electrical standard IEC60034-1. Rotating electrical machine- rating and performance and relevant IEC standard, the noise level of motors conform with IEC60034-9. Measurement of airborne noise emitted by rotating electrical machines and the noise limits and the vibration level meet IEC60034-14. Mechanical Vibration of certain machines with shaft heights 56mm and Higher-Measurement, evaluation and limits of vibration.

All motor in basic design are of horizontal with feet mounting type (IMB3), duty type is continuous operation (S1).

Normally, the motor have three types of enclosure protection degree: IP23, IP44 or IP54.

In respect to cooling type , the motors basically have IC01, IC81W, IC611 or IC616 four types to be selected.

H27R-SR-ODP, H27R-SR-WC, H27R-SR series motors maybe used to drive rolling mills, grinders, hoists, belt conveyers, heavy load blowers, etc.

If required, other types of mounting type, enclosure protection degree and cooling type are also available by separate agreement.



Quality management and certificates



VYBO Electric is a modern High-tech energy saving company that pays high attention to quality, environment, safety and precision and efficiency of work and energy in production. Therefore, it holds a lot of certificates and quality control systems. **Our priority is quality control.**

Basic certificates include:

ISO9001

The primary task of the ISO 9001 standard is to focus on system management and quality management in the organization. The satisfaction of the customer and the fulfillment of his requirements, which are specified in contracts, orders, or technical drawings, are in the first place. The quality management system is linked to all processes in the company. The standard focuses on the management of human and financial resources, on the stability of infrastructure, including buildings, transport, hardware, software and other communication or information technologies. An important part is also the planning of production and services, the management of the purchasing process, but also the management of non-conforming products.



ISO14001

The main priority of the ISO 14001 standard is to identify and understand the environmental aspects and activities that are related to the entire infrastructure of the company and, based on this, to regulate the environmental impact on the environment.

In its scope, the ISO 14001 standard creates the conditions for determining environmental goals and plans, the fulfillment of which is examined at regular intervals by top management and also by an independent body during internal audits.

This standard is intended for all organizations and companies that consider environmental protection as their primary goal.

The benefit of the standard for society is mainly:

- control over the environmental impact on the environment
- control over produced emissions and waste
- saving material and energy
- prevention of accidents
- compliance of the company's activities with legal requirements
- zero fines for environmental behavior
- creation of a good reputation and prestige of the company



The ISO 45001

Specification (formerly known as OHSAS 18001) is an internationally recognized standard that declares compliance with the principles of a safe enterprise, managing risks at work and protecting the health of workers during work. It does not only concern danger and accidents, but also emphasizes other aspects such as the good condition and mental well-being of the employee.

The certificate is held in Slovakia as STN ISO 45001:2019 and is under the title Management systems of safety and health protection at work. Requirements with guidance for use. It replaces the STN OHSAS 18001 standard.



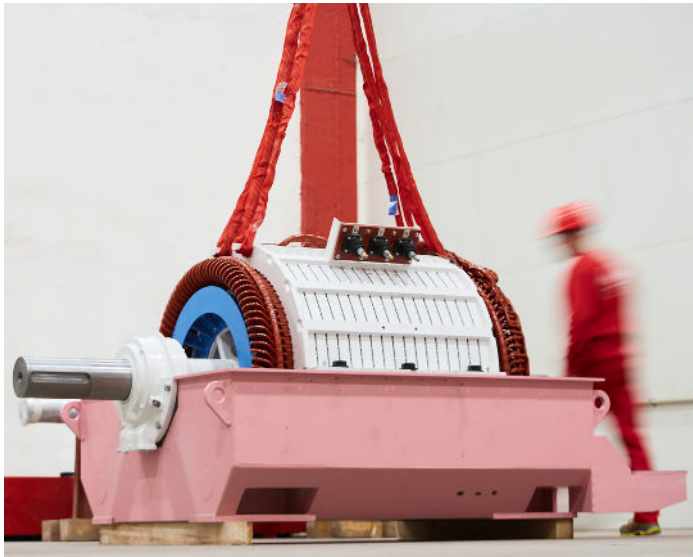
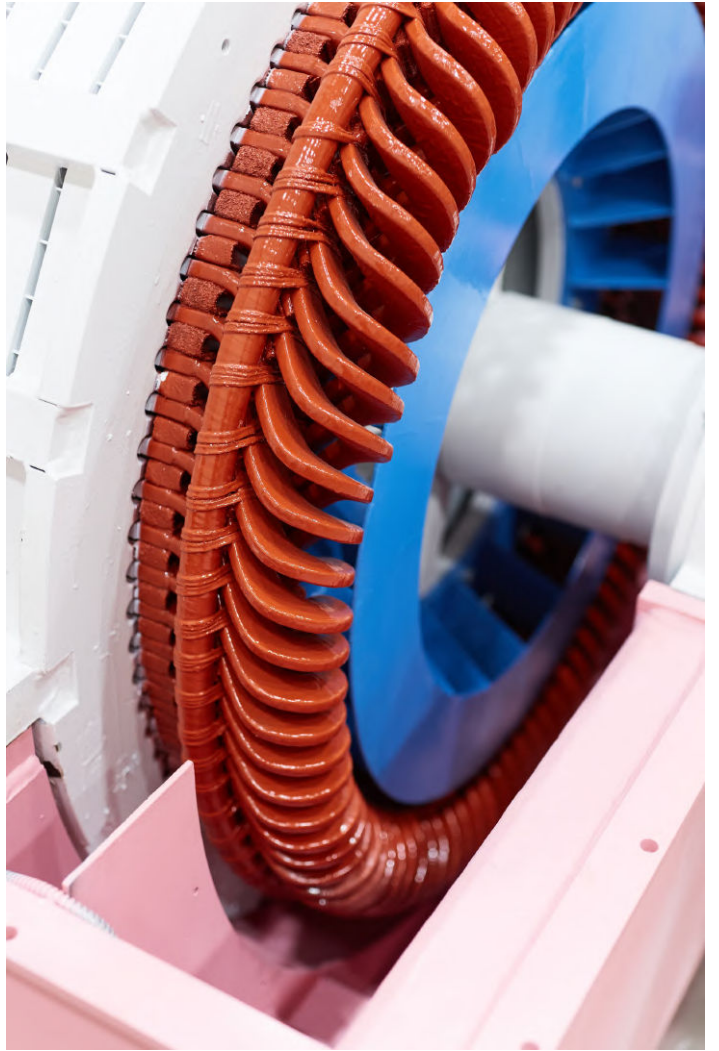
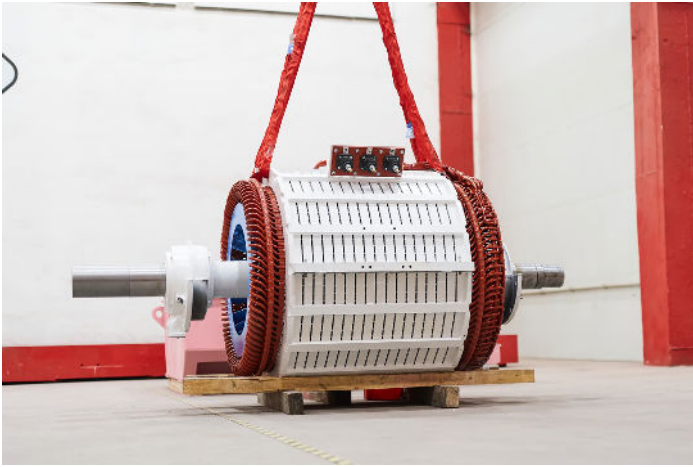
ISO50001

Energy management systems Energy efficiency help organizations save money, save energy resources and also help to prevent climate change. ISO 50001 encourages organizations in all sectors to use energy more efficiently through the development of an energy management system. The international standard ISO 50001: 2011 specifies the requirements for building, maintaining and improving the energy system. It aims to enable organizations to implement a systematic approach that will help achieve lasting improvements in energy efficiency, energy use and consumption.











Briefing of construction

A steel plate welded construction has used to reduce the frame weight and increase the rigidity, optimum construction design also makes series motors convenience for installation and maintenance.

One piece laminations for the stator and rotor are precision-stamped form low loss electrical steel, thus the iron loss is minimized and the efficiency is improved.

The insulation class of series motors is class F. The stator coil is a double layer formed coil, the stator core is stacked and assembled with coils outside the frame, coil braces are applied on the circumference of the stator coil ends with spacers inserted between coils to improve rigidity. After the connection between coils is made, the completed stator winding is placed in a vacuum tank and impregnated, then the stator winding is put into the stator frame and fixed with it.

The standard design of the rotor is of copper bar construction, depending on starting conditions, the rotor bar are made of copper or copper alloy. Advanced brazing technology of the rotor bars to the end rings insures mechanical integrity and results in uniform strength and electrical conductivity at the brazed joints. By swaging the rotor bars against the slot sides, the vibrations of rotor bars to electromagnetic force or centrifugal force are eliminated and insure long motor life.

For the frame size below shaft height 500mm, the cast aluminum rotor construction is also possible. Because of the tight fitness between the rotor conductor and slot sides, the heat generated in the rotor conductor is easy to be dissipated, the safety locked rotor time is longer and the permitted moment of inertia to be driven by the motor is bigger.

For 2P motors form H355~H450 and all 4~12P motors, the stanard designed series motors adopt anti-friction bearings, self-lubricated with grease or oil according to motor's frame size and operating speed, separate oil supply system is not needed. Split sleeve bearings are sed for 2Pmotor from H500~H630 or when specified by purchaser, they are either ring-lubricated or forced-oil lubricated depending pon the loading.

The rotor cores are shrunk onto the shaft and rotor coils are tightly fitted into the slots to minimize vibration. Advanced brazing technology of the rotor coils to coils insures high mechanical strength and good electrical conductivity at the brazed joints. The coil ends are supported by bandage. The rotor winding is vacuum pressure impregnated(VPI) and connected to the slip ring unit. This construction gives the rotor an excellent fit against centrifugal forces.

The slip ring unit is mounted outside the frame to the non-drive end in order to provide easy maintenance without disassembling the motor. As a result, the bearing are closer together, preventing any vibration. Carbon dust, caused by brush wear, is prevented from entering the motor due to the unit. The slip ring unit has a shaft mounted fan and an easily removable and washable filter located in the slip ring housing to collect the carbon dust caused by brush wear.



Starting performance

H27R-ODP, H27R-WC and H27R series motors are applicable to drive various types of universal machines. If the equipment to be driven are water pumps or blowers and meet the following requests:

- (a) The terminal voltage is not less than 85% of its rated voltage during starting.
- (b) The resistance torque of the blower at rated motor speed is not greater than 35% of rated motor torque.
- (c) The moment of inertia of blower (converted to motor speed) should not exceed the value specified by J...in the Technical Data Table, our standard designed series motors may be selected as driven machines, that means the frame size and technical data in the Technical Data Table could be used by user.

Generally, the motor is allowed to start twice in succession with motor initially at ambient temperature natural shut down between two start or once at hot state. Additional starts after the above mentioned should be made one hour later the motor is shut down.

If the circumstance is beyond above conditions or the motor are to be used to drive other mechanical equipment, such as coal mills, belt conveyers, steel mills, hoists, etc, detailed technical information, consisting of motor's terminal voltage during starting, curve of resistance torque and moment of inertia of load (converted to motor rated speed), are necessary for manufacturer to check the design and determine whether a special design must be fulfilled. This work being done before placing an order assures reliable operation of the motor.



Information for ordering

Type of motor (an example)	H27R-SR-ODP-560-6
Rated power (kW)	1800
Rated voltage (V)	10000
Number of poles	6
Rated frequency (Hz)	50
Protection degree	IP23
Type of cooling	IC01
Type of mounting	IMB3
Duty type	S1
Direction of rotation	Clockwise(View from shaft extension end)
Location of terminal box	On the right hand(Viewing from shaft extension end)
Load moment of inertia	If needed
Resistance curve of load	If needed

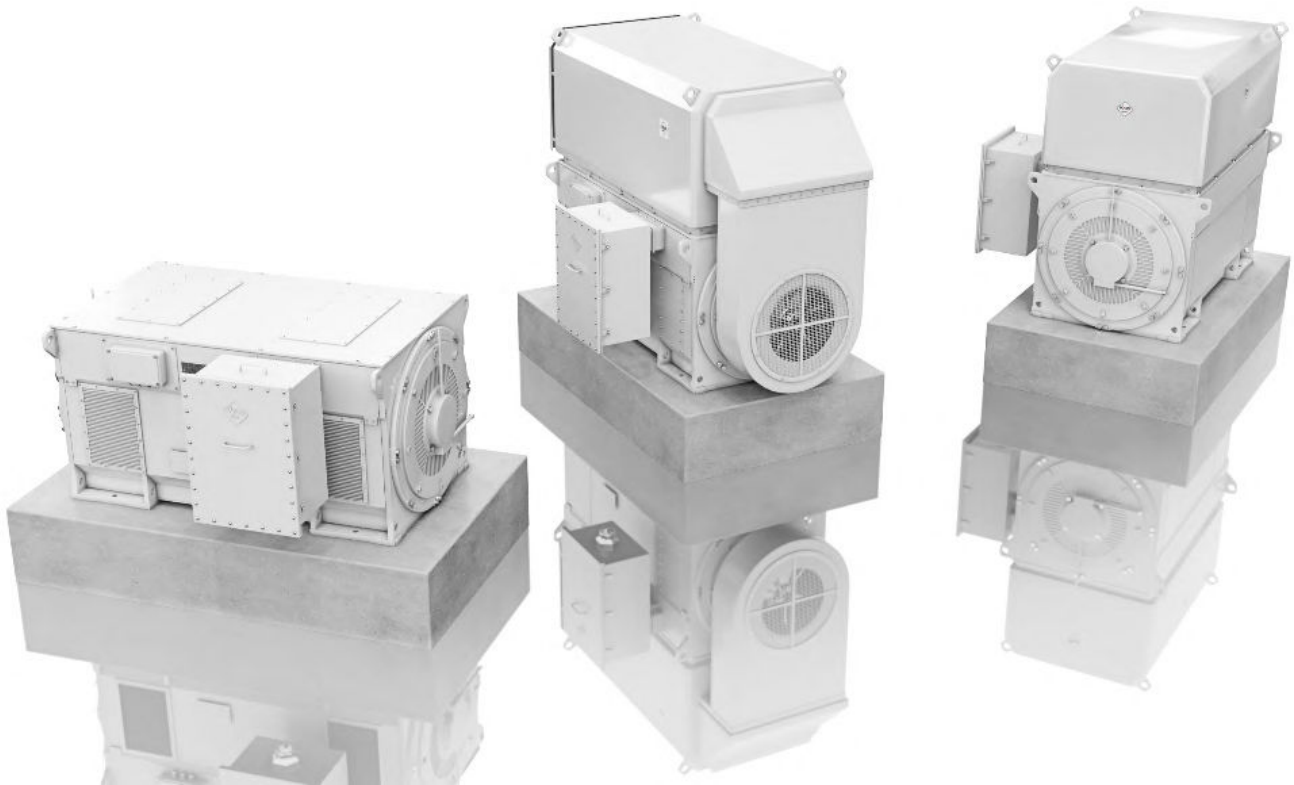
Other special requirements, if any, with respect to break down torque, starting current, noise, altitude(if greater than 1000mm above sea level),ambient temperature (if not within $-15^{\circ}\text{C}\sim+40^{\circ}\text{C}$), belt tension(for belt conveyer),etc., please deliver to manufacturer.

Notes:

1. If there are special requirements, a technical agreement should be signed before ordering.
2. If no special requirement is raised when placing an order, the motor will run in clockwise direction and the terminal box will be at the right side of the motor viewing from the shaft extension.
3. The technical data in the Technical Data Table is for rated voltage 6KV and 10KV only. If the rated voltage is changed, the technical data could also be delivered by manufacturer before placing an order.



H27R - High voltage motors - modular types



Electric motors H27R series

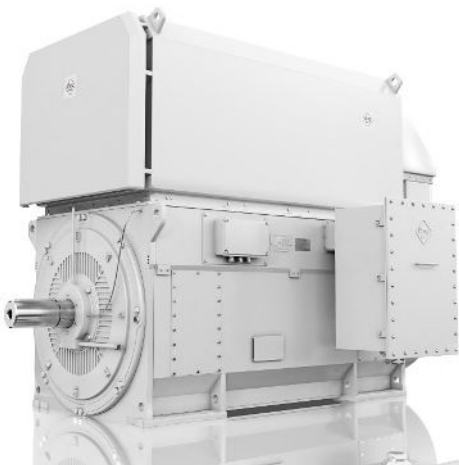
Type of motor: H27R (squirrel cage motor)
Frame sizes: 355 mm - 1000 mm
Power range: 132 kW - 10 000 kW
Voltage: 2000 V - 13 800 V
Frame material: welded steel frame
Protection: IP 44, 54, 55, 65, 67
Cooling: IC611, IC616, IC666, IC81W, IC86W, IC01, IC06

Mounting:
Possible:

B3, B35, V1, IM V15
Special winding of VFD use, can support several kinds of voltage and frequency
PT100, PTC and other thermal elements can be chose to protect bearings and winding
Heaters, anti-vibrations senzors and other

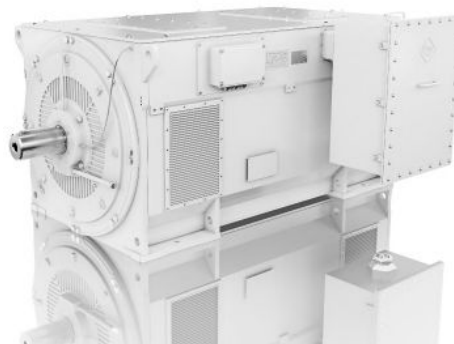
Accessories:

Gallery - 3D



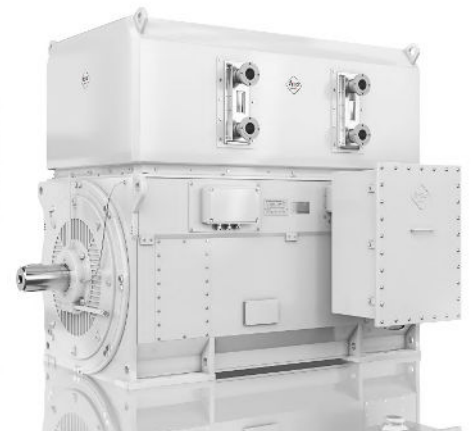
TEFC (totally enclosed fan cooling)

air-to-air
IC 611, IC 616, IC 666



Open drip proof cooling

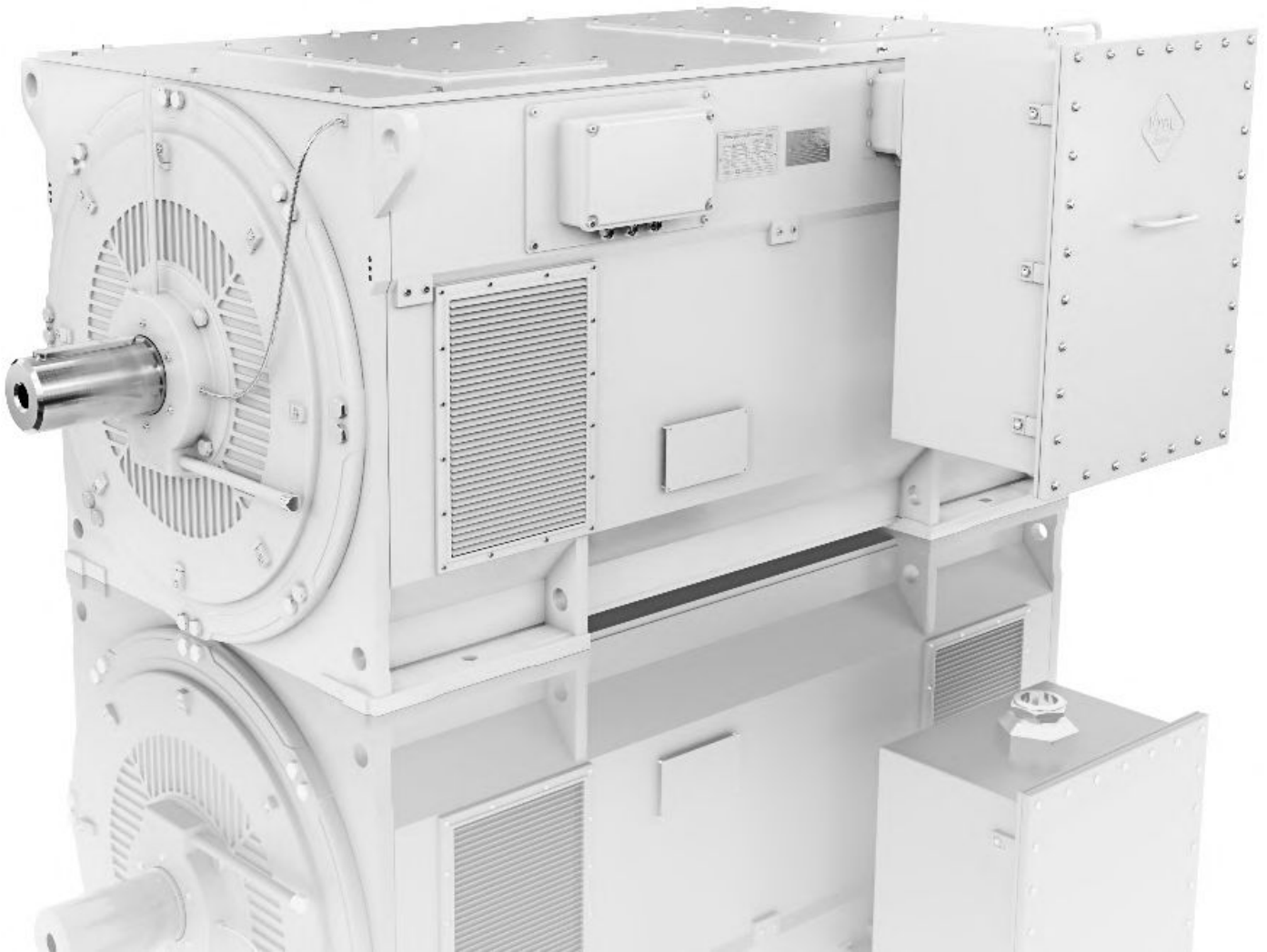
with open circuit ventilation
IC 01, IC 06



Water cooled

air to water heat exchanger
IC 81W, IC 86W

H27R-ODP - High voltage motors - modular type



Electric motors H27R-ODP series

Type of motor: H27R-ODP
Frame sizes: 315 mm - 1000 mm
Power range: 110 kW - 10 000 kW
Voltage: 2 000 V - 13 800 V
Frame material: welded steel or cast iron
Protection: IP23W, IP23, IP33
Cooling: IC01, IC06

Mounting:
Possible:

B3, B35, V1, IM V15
Special winding of VFD use, can support several kinds of voltage and frequency
PT100, PTC and other thermal elements can be chose to protect bearings and winding
Heaters, anti-vibrations senzors and other

Accessories:

Gallery - 3D



Technical data for H27R-ODP series (6 KV)

Type	Rated output (kW)	Rated current (A)	Speed (r/min)	Efficiency (%)	Power factor (cosΦ)	Mmax/Mn	Mst/Mn	Ist/Mn	Jmotor (Kg.m2)	Jload (Kg.m2)	Weight (Kg)	
											H27R-ODP	H27R-WC
2 pole electric motors												
H27R-ODP-3551-2	400	45,8	2980	95,4	0,88	2,7	0,90	6,5	3,6	35	2010	2250
H27R-ODP-3552-2	450	50,9	2980	95,6	0,89	2,6	0,90	6,3	3,9	30	2050	2290
H27R-ODP-3553-2	500	56,5	2976	95,7	0,89	2,6	0,90	6,2	4,3	41	2120	2360
H27R-ODP-3554-2	560	62,5	2976	95,8	0,90	2,5	0,90	6,2	4,6	48	2160	2400
H27R-ODP-4001-2	630	71,0	2981	96,0	0,89	2,6	1,00	6,9	6,7	48	2800	3080
H27R-ODP-4002-2	710	79,9	2981	96,1	0,89	2,6	1,00	6,9	7,3	57	2880	3160
H27R-ODP-4003-2	800	89,9	2982	96,2	0,89	2,6	1,10	7,0	7,9	63	2990	3270
H27R-ODP-4004-2	900	101,0	2982	96,3	0,89	2,7	1,10	7,0	8,8	69	3090	3370
H27R-ODP-4501-2	1000	110,9	2984	96,4	0,90	2,9	0,78	6,9	11,2	71	3580	4230
H27R-ODP-4502-2	1120	122,7	2983	96,5	0,91	2,7	0,75	6,6	12,6	73	3740	4390
H27R-ODP-4503-2	1250	136,8	2983	96,6	0,91	2,6	0,73	6,4	13,9	76	3900	4550
H27R-ODP-4504-2	1400	151,4	2982	96,7	0,92	2,5	0,70	6,2	15,3	79	4060	4710
H27R-ODP-5001-2	1600	172,9	2983	96,8	0,92	2,7	0,64	6,4	19,5	83,5	4100	4860
H27R-ODP-5002-2	1800	194,5	2984	96,8	0,92	2,6	0,64	6,3	21,6	95,5	4300	5000
H27R-ODP-5003-2	2000	213,5	2984	96,9	0,93	2,6	0,65	6,3	23,7	111	4600	5300
H27R-ODP-5004-2	2240	238,9	2985	97,0	0,93	2,6	0,68	6,5	25,8	120	4900	5600
H27R-ODP-5601-2	2500	269,2	2985	97,1	0,92	2,5	0,62	6,1	36,7	131	7000	7750
H27R-ODP-5602-2	2800	301,3	2986	97,2	0,92	2,5	0,67	6,4	40,3	150	7250	8000
H27R-ODP-5603-2	3150	338,6	2987	97,3	0,92	2,7	0,73	6,8	44,0	170	7500	8250
H27R-ODP-5604-2	3550	381,2	2988	97,4	0,92	2,8	0,82	7,4	49,0	211	7750	8500
4 pole electric motors												
H27R-ODP-3551-4	400	45,5	1487	95,0	0,89	2,2	0,87	5,8	6,9	143	2050	2290
H27R-ODP-3552-4	450	51,7	1489	95,2	0,88	2,4	1,00	6,4	7,5	170	2080	2380
H27R-ODP-3553-4	500	57,4	1489	95,3	0,88	2,4	0,98	6,3	8,1	204	2110	2410
H27R-ODP-3554-4	560	63,5	1488	95,4	0,89	2,2	0,94	6,0	9,1	234	2140	2440
H27R-ODP-4001-4	630	70,5	1488	95,6	0,90	2,3	0,90	6,1	15,4	243	2820	3170
H27R-ODP-4002-4	710	79,3	1488	95,7	0,90	2,2	0,90	5,9	17,3	261	2900	3250
H27R-ODP-4003-4	800	88,3	1488	95,8	0,91	2,2	0,90	5,9	19,2	292	3050	3340
H27R-ODP-4004-4	900	99,2	1488	95,9	0,91	2,2	0,90	6,0	21,0	326	3130	3450
H27R-ODP-4501-4	1000	112,6	1491	96,0	0,89	2,5	0,80	6,5	23,9	242	3660	4450
H27R-ODP-4502-4	1120	124,6	1490	96,1	0,90	2,3	0,76	6,0	26,5	287	3820	4610
H27R-ODP-4503-4	1250	138,9	1491	96,2	0,90	2,5	0,85	6,5	29,0	357	3980	4870
H27R-ODP-4504-4	1400	155,4	1491	96,3	0,90	2,3	0,80	6,2	31,6	378	4140	4960
H27R-ODP-5001-4	1600	175,5	1490	96,4	0,91	2,1	0,70	5,5	47,7	573	4500	5180



Technical data H27R-ODP series (6 KV)

Type	Rated output (kW)	Rated current (A)	Speed (r/min)	Efficiency (%)	Power factor (cosΦ)	Mmax/Mn	Mst/Mn	Ist/Mn	Jmotor (Kg.m2)	Jload (Kg.m2)	Weight (Kg)	
											H27R-ODP	H27R-WC
4 pole electric motors												
H27R-ODP-5002-4	1800	197,2	1490	96,5	0,91	2,0	0,70	5,4	52,3	660	4600	5300
H27R-ODP-5003-4	2000	218,9	1490	96,6	0,91	2,0	0,71	5,4	57,0	753	4700	5400
H27R-ODP-5004-4	2240	244,9	1490	96,7	0,91	2,0	0,73	5,4	63,4	827	5000	5710
H27R-ODP-5601-4	2500	273,1	1491	96,8	0,91	2,1	0,73	5,6	70,0	890	7100	7850
H27R-ODP-5602-4	2800	305,5	1491	96,9	0,91	2,1	0,77	5,8	76,4	1020	7350	8200
H27R-ODP-5603-4	3150	343,3	1492	97,0	0,91	2,2	0,83	6,1	85,0	1130	7600	8400
H27R-ODP-5604-4	3550	386,6	1492	97,1	0,91	2,4	0,94	6,7	93,6	1190	7850	8600
6 pole electric motors												
H27R-ODP-3551-6	315	37,4	989	94,3	0,86	2,1	0,90	5,4	12,2	428	2060	2460
H27R-ODP-3552-6	355	42,1	988	94,4	0,86	1,9	0,90	4,9	13,6	453	2100	2500
H27R-ODP-3553-6	400	47,4	988	94,5	0,86	1,8	0,80	4,5	15,1	527	2140	2540
H27R-ODP-3554-6	450	53,2	989	94,6	0,86	1,9	0,90	4,9	16,5	652	2170	2570
H27R-ODP-4001-6	500	59,0	990	94,8	0,86	1,9	0,90	5,1	20,3	711	2590	3040
H27R-ODP-4002-6	560	66,0	989	94,9	0,86	1,8	0,90	4,8	22,7	751	2690	3140
H27R-ODP-4003-6	630	74,2	989	95,0	0,86	1,8	0,80	4,6	25,2	839	2770	3220
H27R-ODP-4004-6	710	83,5	989	95,1	0,86	1,8	0,80	4,5	27,6	901	2980	3430
H27R-ODP-4501-6	800	94,0	991	95,2	0,86	1,9	1,00	5,4	32,7	934	3110	3910
H27R-ODP-4502-6	900	105,7	991	95,3	0,86	1,9	1,00	5,4	36,3	1060	3240	4040
H27R-ODP-4503-6	1000	117,3	991	95,4	0,86	1,9	1,00	5,6	39,8	1140	3370	4170
H27R-ODP-4504-6	1120	131,2	992	95,5	0,86	2,0	1,10	5,9	43,4	1250	3490	4290
H27R-ODP-5001-6	1250	142,8	992	95,7	0,88	2,2	1,00	6,0	64,3	1410	4100	5010
H27R-ODP-5002-6	1400	159,8	992	95,8	0,88	2,1	1,00	5,9	70,0	1600	4200	5110
H27R-ODP-5003-6	1600	180,4	992	95,9	0,89	2,0	0,90	5,6	78,0	1840	4500	5410
H27R-ODP-5004-6	1800	202,7	992	96,0	0,89	2,0	0,90	5,6	86,0	2000	4700	5610
H27R-ODP-5601-6	2000	225,0	993	96,1	0,89	1,9	0,70	5,1	107,0	2090	7185	8000
H27R-ODP-5602-6	2240	251,8	993	96,2	0,89	1,8	0,70	5,0	120,0	2150	7415	8300
H27R-ODP-5603-6	2500	280,7	993	96,3	0,89	1,9	0,73	5,2	132,0	2450	7670	8500
H27R-ODP-5604-6	2800	314,0	994	96,4	0,89	1,9	0,80	5,5	144,0	2750	7950	8780
8 pole electric motors												
H27R-ODP-3551-8	250	31,8	740	93,5	0,81	2,0	1,00	4,6	14,9	830	2100	2500
H27R-ODP-3552-8	280	35,5	740	93,7	0,81	1,8	0,90	4,5	16,6	882	2140	2540
H27R-ODP-3553-8	315	39,9	741	93,9	0,81	1,9	0,90	4,7	18,2	969	2190	2590
H27R-ODP-3554-8	355	44,9	741	94,0	0,81	2,0	1,00	4,9	19,8	1120	2350	2750
H27R-ODP-4001-8	400	49,2	741	94,2	0,83	1,9	1,00	4,8	27,7	1340	2480	2930



Technical data for H27R-ODP series (6 KV)

Type	Rated output (kW)	Rated current (A)	Speed (r/min)	Efficiency (%)	Power factor (cosΦ)	Mmax/Mn	Mst/Mn	Ist/Mn	Jmotor (Kg.m ²)	Jload (Kg.m ²)	Weight (Kg)	
											H27R-ODP	H27R-WC
8 pole electric motors												
H27R-ODP-4002-8	450	55,3	741	94,3	0,83	1,8	0,90	4,5	30,7	1520	2570	3020
H27R-ODP-4003-8	500	61,1	741	94,8	0,83	1,8	0,90	4,5	33,6	1710	2650	3100
H27R-ODP-4004-8	560	68,4	741	94,9	0,83	1,8	0,90	4,5	36,6	1910	2760	3210
H27R-ODP-4501-8	630	76,9	742	95,0	0,83	1,9	0,90	4,9	39,2	1490	3140	3940
H27R-ODP-4502-8	710	85,5	742	95,1	0,84	1,8	0,80	4,6	46,7	1660	3290	4090
H27R-ODP-4503-8	800	96,3	742	95,2	0,84	1,8	0,80	4,6	52,0	2100	3340	4140
H27R-ODP-4504-8	900	108,1	743	95,4	0,84	1,9	0,90	5,0	57,3	2260	3470	4270
H27R-ODP-5001-8	1000	120,0	744	95,5	0,84	2,1	1,10	5,7	90,0	2660	4000	4910
H27R-ODP-5002-8	1120	134,2	744	95,6	0,84	2,0	1,10	5,5	101,0	2840	4150	5060
H27R-ODP-5003-8	1250	149,6	743	95,7	0,84	1,9	1,00	5,3	111,0	3210	4350	5260
H27R-ODP-5004-8	1400	167,4	743	95,8	0,84	1,9	1,00	5,2	121,0	3610	4500	5410
H27R-ODP-5601-8	1600	188,9	744	95,9	0,85	1,8	0,80	4,8	168,0	3190	7270	8090
H27R-ODP-5602-8	1800	212,3	743	96,0	0,85	1,8	0,75	4,6	185,0	3560	7510	8380
H27R-ODP-5603-8	2000	235,6	743	96,1	0,85	1,8	0,77	4,7	202,0	4040	7750	8600
H27R-ODP-5604-8	2240	263,6	744	96,2	0,85	1,8	0,80	4,8	219,0	4360	8050	8890
10 pole electric motors												
H27R-ODP-4001-10	280	39,1	593	93,1	0,74	2,2	1,30	5,4	30,7	1360	2570	3020
H27R-ODP-4002-10	315	42,7	593	93,3	0,76	2,0	1,20	5,1	34,0	1440	2650	3100
H27R-ODP-4003-10	355	46,8	592	93,5	0,78	1,9	1,10	4,8	37,3	1690	2760	3210
H27R-ODP-4004-10	400	52,7	592	93,7	0,78	1,8	1,00	4,6	40,6	1950	2890	3340
H27R-ODP-4501-10	450	58,9	593	94,2	0,78	1,9	1,00	4,7	49,6	2530	3060	3860
H27R-ODP-4502-10	500	65,4	593	94,3	0,78	1,9	0,90	4,6	54,0	2830	3140	3940
H27R-ODP-4503-10	560	72,3	593	94,4	0,79	1,8	0,90	4,5	60,0	3200	3270	4070
H27R-ODP-4504-10	630	81,2	593	94,5	0,79	1,8	0,90	4,4	66,0	3610	3330	4130
H27R-ODP-5001-10	710	91,2	594	94,8	0,79	1,8	1,00	5,0	90,7	3010	4000	4910
H27R-ODP-5002-10	800	102,7	594	94,9	0,79	1,8	1,00	4,9	101,0	3650	4150	5060
H27R-ODP-5003-10	900	115,4	594	95,0	0,79	1,9	1,00	5,1	111,0	4030	4300	5210
H27R-ODP-5004-10	1000	128,1	594	95,1	0,79	2,0	1,20	5,4	121,0	4890	4450	5315
H27R-ODP-5601-10	1120	139,6	594	95,3	0,81	1,8	0,90	4,5	168,0	6600	7210	8050
H27R-ODP-5602-10	1250	155,6	594	95,4	0,81	1,8	0,90	4,5	185,0	7200	7470	8300
H27R-ODP-5603-10	1400	174,1	594	95,5	0,81	1,8	0,90	4,4	202,0	8180	7680	8530
H27R-ODP-5604-10	1600	198,8	594	95,6	0,81	1,8	0,90	4,4	215,0	9230	7970	8820

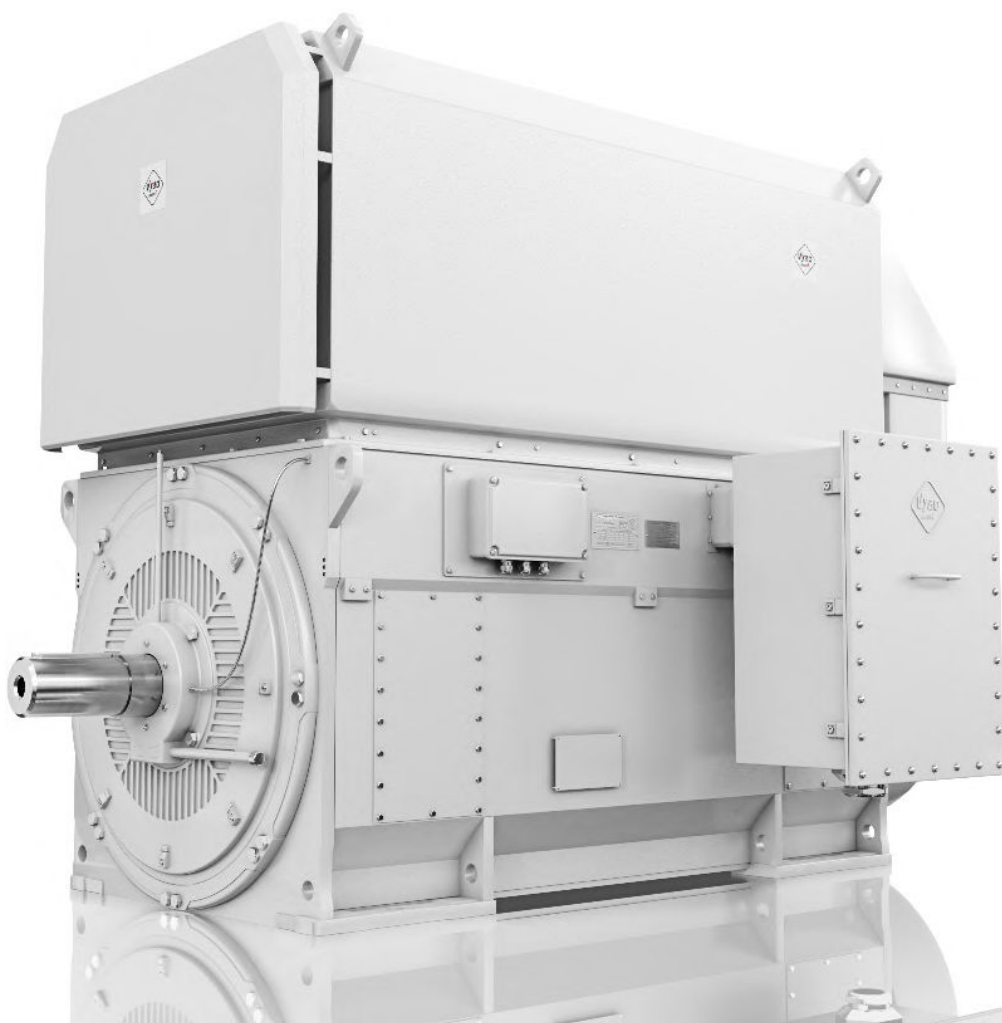


Technical data H27R-ODP series (6 KV)

Type	Rated output (kW)	Rated current (A)	Speed (r/min)	Efficiency (%)	Power factor (cosΦ)	Mmax/Mn	Mst/Mn	Ist/Mn	Jmotor (Kg.m2)	Jload (Kg.m2)	Weight (Kg)	
											H27R-ODP	H27R-WC
12 pole electric motors												
H27R-ODP-4001-12	250	35,0	495	93,0	0,74	2,1	1,00	4,8	32,8	2060	2960	2510
H27R-ODP-4002-12	280	38,1	494	93,1	0,76	2,0	0,90	4,6	36,0	2160	2600	3070
H27R-ODP-4003-12	315	42,2	494	93,3	0,77	1,9	0,80	4,4	39,2	2500	3200	2750
H27R-ODP-4501-12	355	47,3	494	93,7	0,77	1,9	0,90	4,4	46,4	3050	3170	3970
H27R-ODP-4502-12	400	53,3	493	93,8	0,77	1,8	0,80	4,3	50,5	3170	3260	4060
H27R-ODP-4503-12	450	59,9	494	93,9	0,77	2,0	0,90	4,7	56,2	4010	3340	4140
H27R-ODP-4504-12	500	66,5	494	94,0	0,77	2,0	0,90	4,7	61,9	4540	3410	4210
H27R-ODP-5001-12	560	73,3	493	94,2	0,78	1,9	0,90	4,4	90,8	6090	4000	4900
H27R-ODP-5002-12	630	81,4	493	94,3	0,79	1,8	0,80	4,3	101,0	6630	4100	5000
H27R-ODP-5003-12	710	91,6	493	94,4	0,79	1,8	0,90	4,3	111,0	7410	4250	5150
H27R-ODP-5004-12	800	103,1	493	94,5	0,79	1,9	0,90	4,5	122,0	8220	4400	5300
H27R-ODP-5601-12	900	114,2	494	94,8	0,80	1,8	1,00	4,7	168,0	10800	7200	8000
H27R-ODP-5602-12	1000	125,2	494	94,9	0,81	1,8	1,00	4,6	186,0	12000	7420	8260
H27R-ODP-5603-12	1120	140,1	494	95,0	0,81	1,8	1,00	4,6	203,0	13500	7610	8450
H27R-ODP-5604-12	1250	156,1	494	95,1	0,81	1,8	1,00	4,7	220,0	15100	7880	8730



H27R- Medium and high voltage motors - modular type



Electric motors H27R series

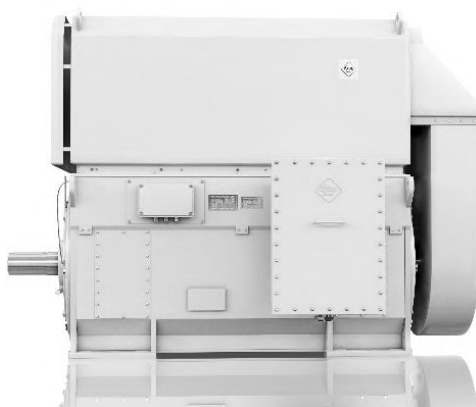
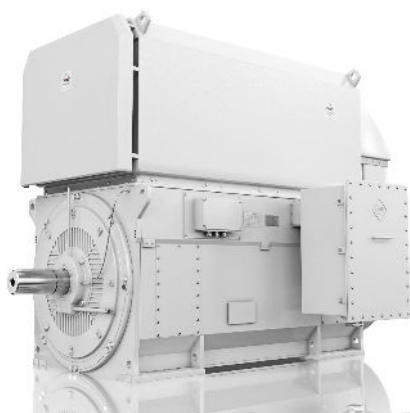
Type of motor: H27R
Frame sizes: 315 mm - 1 000 mm
Power range: 110 kW - 10 000 kW
Voltage: 2 000 V - 13 800 V
Frame material: welded steel or cast iron
Protection: IP44, IP55, IP56, IP65, IP67
Cooling: IC611, IC616, IC666

Mounting:
Possible:

B3, B35, V1, IM V15
Special winding of VFD use, can support several kinds of voltage and frequency
PT100, PTC and other thermal elements can be chose to protect bearings and winding
Heaters, anti-vibrations senzors and other

Accessories:

Gallery - 3D



Technical data for H27R series (6 KV)

Type	Rated output (kW)	Rated current (A)	Speed (r/min)	Efficiency (%)	Power factor (cos Φ)	Mmax/Mn	Mst/Mn	Ist/Mn	Jmotor (Kg.m ²)	Jload (Kg.m ²)	Weight (kg)
2 pole electric motors											
H27R-3551-2	355	41,9	2981	94,9	0,86	3,2	1,00	7,3	3,6	53	2250
H27R-3552-2	400	46,5	2980	95,2	0,87	3,0	0,90	7,1	3,9	62,3	2300
H27R-3553-2	450	51,6	2980	95,4	0,88	2,9	0,90	6,9	4,3	63,9	2350
H27R-3554-2	500	57,2	2980	95,6	0,88	2,9	0,90	6,9	4,6	76,5	2400
H27R-4001-2	560	62,6	2984	95,7	0,90	2,7	0,80	6,7	6,7	53	2700
H27R-4002-2	630	70,3	2984	95,8	0,90	2,6	0,80	6,6	7,3	60	2780
H27R-4003-2	710	79,1	2984	96,0	0,90	2,6	0,80	6,7	7,9	68	2900
H27R-4004-2	800	89,0	2984	96,1	0,90	2,6	0,80	6,6	8,8	77	3000
H27R-4501-2	900	100,0	2986	96,2	0,90	3,1	0,70	7,1	12,6	59	4000
H27R-4502-2	1000	111,0	2986	96,3	0,90	3,0	0,70	7,0	13,9	61	4300
H27R-4503-2	1120	122,9	2986	96,4	0,91	2,9	0,70	6,9	15,3	75	4600
H27R-4504-2	1250	137,0	2986	96,5	0,91	2,9	0,70	6,9	16,6	77,7	4900
H27R-5001-2	1400	153,2	2988	96,6	0,91	2,9	0,60	6,7	21,2	93,7	5200
H27R-5002-2	1600	175,0	2988	96,7	0,91	2,8	0,60	6,6	23,5	108	5440
H27R-5003-2	1800	196,6	2988	96,8	0,91	2,9	0,60	6,8	25,8	119	5650
H27R-5004-2	2000	211,4	2989	96,9	0,91	3,0	0,70	7,1	28,0	136	5880
H27R-5601-2	2240	241,8	2987	96,9	0,92	2,4	0,50	5,6	37,0	139	6800
H27R-5602-2	2500	269,6	2988	97,0	0,92	2,5	0,52	5,9	41,0	156	6900
H27R-5603-2	2800	301,6	2989	97,1	0,92	2,6	0,59	6,4	45,0	180	7160
H27R-5604-2	3150	338,9	2989	97,2	0,92	2,9	0,66	7,0	50,0	224	7450
4 pole electric motors											
H27R-3551-4	355	40,6	1487	94,5	0,89	2,2	0,85	5,7	7,0	205	2500
H27R-3552-4	400	45,7	1488	94,6	0,89	2,4	0,90	6,2	7,6	247	2550
H27R-3553-4	450	51,4	1488	94,7	0,89	2,3	0,90	6,0	8,2	256	2600
H27R-3554-4	500	57,0	1488	94,8	0,89	2,2	0,90	5,7	9,0	314	2650
H27R-4001-4	560	63,1	1489	94,9	0,90	2,2	0,90	6,1	18,0	328	2740
H27R-4002-4	630	70,9	1489	95,0	0,90	2,2	0,90	6,0	20,0	367	2800
H27R-4003-4	710	79,8	1489	95,1	0,90	2,2	0,90	6,0	21,5	409	2870
H27R-4004-4	800	89,8	1490	95,2	0,90	2,4	1,00	6,5	24,0	460	2990
H27R-4501-4	900	102,1	1490	95,3	0,89	2,0	0,70	5,5	21,0	402	4400
H27R-4502-4	1000	113,3	1490	95,4	0,89	2,0	0,70	5,5	24,0	444	4560
H27R-4503-4	1120	126,8	1490	95,5	0,89	2,1	0,76	5,7	26,5	507	4720
H27R-4504-4	1250	141,4	1491	95,6	0,89	2,2	0,80	6,0	29,0	574	4890
H27R-5001-4	1400	156,4	1492	95,7	0,90	2,4	0,80	6,2	51,0	684	5640



Technical data H27R series (6 KV)

Type	Rated output (kW)	Rated current (A)	Speed (r/min)	Efficiency (%)	Power factor (cosΦ)	Mmax/Mn	Mst/Mn	Ist/Mn	Jmotor (Kg.m2)	Jload (Kg.m2)	Weight (kg)
4 pole electric motors											
H27R-5002-4	1600	178,6	1491	95,8	0,90	2,2	0,80	6,0	56,0	773	5760
H27R-5003-4	1800	200,7	1491	95,9	0,90	2,2	0,80	6,0	61,0	883	5850
H27R-5004-4	2000	222,7	1491	96,0	0,90	2,2	0,80	6,0	68,0	980	6030
H27R-5601-4	2240	246,5	1493	96,1	0,91	2,3	0,70	6,3	70,0	805	7800
H27R-5602-4	2500	274,8	1494	96,2	0,91	2,4	0,80	6,5	76,0	927	8050
H27R-5603-4	2800	307,5	1494	96,3	0,91	2,4	0,80	6,5	85,0	1030	8300
H27R-5604-4	3150	345,5	1494	96,4	0,91	2,6	0,90	7,0	93,0	1080	8560
6 pole electric motors											
H27R-3551-6	280	33,8	991	93,8	0,85	2,4	1,10	6,0	12,0	448	2480
H27R-3552-6	315	37,5	990	93,9	0,86	2,2	1,00	5,6	13,4	478	2550
H27R-3553-6	355	42,3	989	94,0	0,86	2,0	0,90	5,1	15,0	562	2610
H27R-3554-6	400	47,6	990	94,1	0,86	2,2	1,00	5,6	16,0	688	2665
H27R-4001-6	450	53,4	992	94,3	0,86	2,3	1,00	5,9	19,6	663	2700
H27R-4002-6	500	59,3	991	94,4	0,86	2,1	0,90	5,7	22,0	706	2800
H27R-4003-6	560	66,3	991	94,5	0,86	2,0	0,90	5,4	24,4	796	2895
H27R-4004-6	630	73,7	991	94,6	0,87	2,0	0,86	5,2	27,2	893	3020
H27R-4501-6	710	82,9	992	94,7	0,87	2,0	1,00	5,5	37,0	1040	4380
H27R-4502-6	800	93,3	992	94,8	0,87	2,0	1,00	5,5	40,0	1170	4540
H27R-4503-6	900	104,9	992	94,9	0,87	2,0	1,00	5,6	44,0	1250	4690
H27R-4504-6	1000	115,7	992	95,0	0,87	2,1	1,10	6,0	48,0	1390	4810
H27R-5001-6	1120	130,3	994	95,1	0,87	2,4	1,10	6,7	64,0	1420	5355
H27R-5002-6	1250	145,2	994	95,2	0,87	2,3	1,10	6,6	70,0	1620	5440
H27R-5003-6	1400	162,5	994	95,3	0,87	2,2	1,10	6,4	78,0	1880	5700
H27R-5004-6	1600	185,5	994	95,4	0,87	2,2	1,10	6,2	86,0	2040	5880
H27R-5601-6	1800	205,9	994	95,6	0,88	2,1	0,80	5,7	107,0	1990	7500
H27R-5602-6	2000	228,5	994	95,7	0,88	2,0	0,80	5,7	120,0	2280	7850
H27R-5603-6	2240	252,5	994	95,9	0,89	2,0	0,80	5,8	132,0	2590	8100
H27R-5604-6	2500	281,3	994	96,1	0,89	2,2	0,90	6,0	144,0	2890	8360
8 pole electric motors											
H27R-3551-8	220	27,2	740	92,7	0,84	2,0	1,20	5,2	13,0	886	2510
H27R-3552-8	250	30,9	739	92,8	0,84	2,0	1,20	5,1	15,0	1010	2580
H27R-3553-8	280	34,5	739	93,1	0,84	2,0	1,20	5,1	16,0	1250	2650
H27R-3554-8	315	38,7	740	93,2	0,84	2,0	1,20	5,3	18,0	1320	2730
H27R-4001-8	355	44,2	742	94,2	0,82	2,1	1,10	5,4	27,0	1370	2730



Technical data for H27R series (6 KV)

Type	Rated output (kW)	Rated current (A)	Speed (r/min)	Efficiency (%)	Power factor (cosΦ)	Mmax/Mn	Mst/Mn	Ist/Mn	Jmotor (Kg.m2)	Jload (Kg.m2)	Weight (kg)
8 pole electric motors											
H27R-4002-8	400	49,2	742	94,3	0,83	2,0	1,00	5,1	30,0	1560	2785
H27R-4003-8	450	54,6	742	94,4	0,84	2,0	1,00	5,0	33,0	1750	2840
H27R-4004-8	500	60,6	742	94,5	0,84	2,0	1,00	5,0	36,0	1970	2910
H27R-4501-8	560	67,8	742	94,6	0,84	1,8	0,70	4,5	42,0	1530	4560
H27R-4502-8	630	76,2	742	94,7	0,84	1,8	0,70	4,4	46,0	1660	4650
H27R-4503-8	710	85,6	742	95,0	0,84	1,8	0,70	4,5	50,0	1850	4740
H27R-4504-8	800	96,3	743	95,2	0,84	1,8	0,70	4,6	56,0	2070	4840
H27R-5001-8	900	106,9	744	95,3	0,85	2,1	1,00	5,6	90,0	1850	5110
H27R-5002-8	1000	118,7	744	95,4	0,85	2,0	0,90	5,3	100,0	2260	5280
H27R-5003-8	1120	132,8	744	95,5	0,85	2,2	1,00	5,9	111,0	2650	5430
H27R-5004-8	1250	148,0	744	95,6	0,85	2,1	1,00	5,8	121,0	2980	5660
H27R-5601-8	1400	165,6	744	95,7	0,85	1,9	0,70	4,9	159,0	3190	7500
H27R-5602-8	1600	189,1	744	95,8	0,85	1,8	0,70	4,7	175,0	3540	7750
H27R-5603-8	1800	212,5	744	95,9	0,85	1,8	0,70	4,7	191,0	3980	8000
H27R-5604-8	2000	235,8	744	96,0	0,85	1,8	0,75	4,9	207,0	4310	8250
10 pole electric motors											
H27R-4001-10	250	34,1	593	92,9	0,76	2,1	1,30	5,3	31,0	1410	2810
H27R-4002-10	280	37,6	593	93,0	0,77	1,9	1,20	5,0	34,0	1510	2860
H27R-4003-10	315	42,3	593	93,1	0,77	2,0	1,30	5,3	37,0	1810	2930
H27R-4004-10	355	47,5	593	93,3	0,77	1,9	1,30	5,0	41,0	2100	3010
H27R-4501-10	400	53,3	594	93,8	0,77	2,1	1,10	5,2	50,0	2630	4670
H27R-4502-10	450	59,8	594	94,0	0,77	2,1	1,00	5,0	54,0	2940	4760
H27R-4503-10	500	65,6	594	94,1	0,78	2,0	1,00	4,9	60,0	3340	4860
H27R-4504-10	560	73,3	594	94,3	0,78	2,0	1,00	4,9	66,0	3790	4960
H27R-5001-10	630	82,2	594	94,6	0,78	1,9	0,90	4,7	83,0	4170	5220
H27R-5002-10	710	92,5	594	94,7	0,78	1,9	0,90	4,7	91,0	4710	5375
H27R-5003-10	800	104,0	594	94,9	0,78	1,8	0,90	4,7	101,0	5390	5535
H27R-5004-10	900	116,9	594	95,0	0,78	1,9	0,90	4,8	111,0	5890	5760
H27R-5601-10	1000	124,9	595	95,1	0,81	2,1	0,90	5,2	168,0	6910	7470
H27R-5602-10	1120	139,8	595	95,2	0,81	2,0	0,90	5,0	185,0	7550	7690
H27R-5603-10	1250	155,8	595	95,3	0,81	2,0	0,90	5,0	202,0	8600	7920
H27R-5604-10	1400	194,3	595	95,4	0,81	2,0	0,90	5,1	219,0	9780	8140

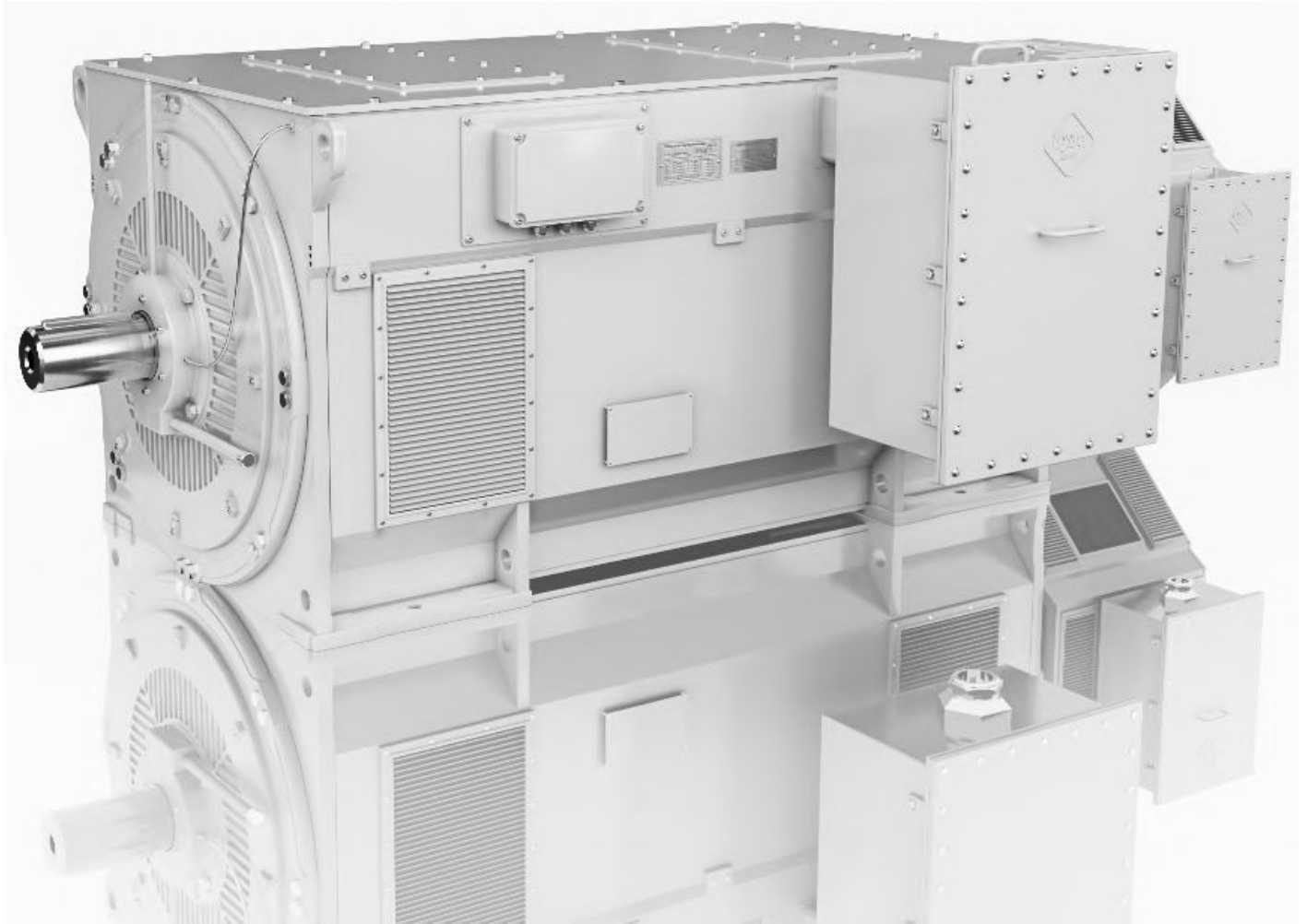


Technical data H27R series (6 KV)

Type	Rated output (kW)	Rated current (A)	Speed (r/min)	Efficiency (%)	Power factor (cosΦ)	Mmax/Mn	Mst/Mn	Ist/Mn	Jmotor (Kg.m2)	Jload (Kg.m2)	Weight (kg)
12 pole electric motors											
H27R-4001-12	220	30,0	493	92,8	0,76	2,1	1,10	4,7	33,0	2600	2830
H27R-4002-12	250	34,1	493	92,9	0,76	2,2	1,20	4,9	36,0	2740	2890
H27R-4003-12	280	38,1	493	93,0	0,76	2,0	1,10	4,7	39,0	3200	2960
H27R-4501-12	315	42,2	494	93,2	0,77	2,0	1,00	4,7	46,0	3450	4590
H27R-4502-12	355	47,5	493	93,3	0,77	1,9	0,90	4,5	51,0	3600	4770
H27R-4503-12	400	52,8	493	93,4	0,78	1,8	0,90	4,2	56,0	4090	4950
H27R-4504-12	450	59,4	493	93,5	0,78	1,8	0,80	4,1	62,0	4570	5160
H27R-5001-12	500	65,5	494	94,2	0,78	2,1	1,00	4,9	91,0	6330	5250
H27R-5002-12	560	73,3	494	94,3	0,78	2,1	1,00	4,8	101,0	6920	5340
H27R-5003-12	630	82,3	494	94,4	0,78	2,1	1,00	4,8	111,0	7750	5410
H27R-5004-12	710	92,7	494	94,5	0,78	2,1	1,00	5,0	122,0	8560	5660
H27R-5601-12	800	100,4	495	94,7	0,81	2,1	1,00	5,2	168,0	7870	7440
H27R-5602-12	900	112,8	495	94,8	0,81	2,0	1,00	5,0	185,0	8710	7650
H27R-5603-12	1000	125,2	495	94,9	0,81	2,0	1,00	5,0	203,0	9850	7860
H27R-5604-12	1120	140,1	495	95,0	0,81	2,1	1,00	5,2	220,0	11000	8070



H27R-SR-ODP - Slip ring motors - modular type



Electric motors H27R-SR-ODP series

Type of motor:	H27R-SR-ODP (slip ring motor with wound rotor)
Frame sizes:	355 mm - 1000 mm
Power range:	132 kW - 20 000 kW
Voltage:	2000 V - 13 800 V
Frame material:	welded steel frame
Protection:	IP21
Cooling:	IC01, IC06

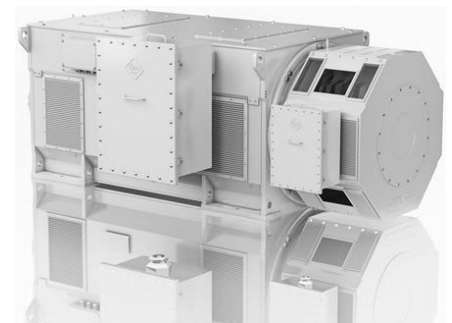
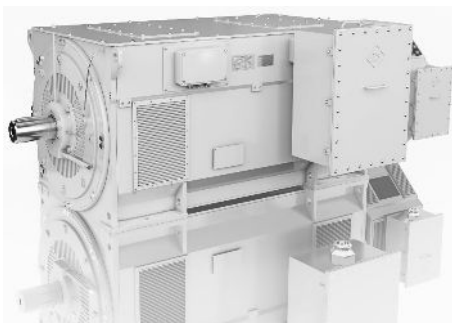
Mounting:
Possible:

B3, B35, V1, IM V15
Possible customized voltage of wound rotor

Accessories:

PT100, PTC and other thermal elements can be chose to protect bearings and winding Heaters, anti-vibrations senzors and other

Gallery - 3D



Technical data for H27R-SR-ODP series (6 KV)

Type	Rated output (kW)	Rated current (A)	Speed (r/min)	Efficiency (%)	Power factor (cosφ)	Mmax/Mn	Rotor voltage (V)	Rotor current (A)
4 pole electric motors								
H27R-SR-ODP-3551-4	355	43,5	1478	93,5	0,84	1,8	400	545
H27R-SR-ODP-3552-4	400	49,0	1478	93,6	0,84	1,8	435	567
H27R-SR-ODP-3553-4	450	54,3	1478	93,8	0,85	1,9	475	584
H27R-SR-ODP-3554-4	500	60,3	1480	93,9	0,85	1,9	521	585
H27R-SR-ODP-4001-4	560	67,2	1482	94,4	0,85	1,9	521	654
H27R-SR-ODP-4002-4	630	74,6	1483	94,5	0,86	2,0	578	659
H27R-SR-ODP-4003-4	710	84,0	1483	94,6	0,86	2,0	650	657
H27R-SR-ODP-4004-4	800	93,4	1483	94,7	0,87	2,0	745	645
H27R-SR-ODP-4501-4	900	105,0	1485	94,8	0,87	2,2	1005	542
H27R-SR-ODP-4502-4	1000	116,5	1485	94,9	0,87	2,1	1081	559
H27R-SR-ODP-4503-4	1120	128,9	1485	95,0	0,88	2,1	1173	578
H27R-SR-ODP-4504-4	1250	143,7	1485	95,1	0,88	2,2	1280	590
H27R-SR-ODP-5001-4	1400	160,8	1486	95,2	0,88	2,2	1164	722
H27R-SR-ODP-5002-4	1600	183,6	1486	95,3	0,88	2,5	1267	758
H27R-SR-ODP-5003-4	1800	206,3	1486	95,4	0,88	2,3	1401	724
H27R-SR-ODP-5004-4	2000	226,4	1487	95,5	0,89	2,3	1402	868
H27R-SR-ODP-5601-4	2240	253,3	1487	95,6	0,89	2,5	1558	874
H27R-SR-ODP-5602-4	2500	282,4	1488	95,7	0,89	2,5	1706	862
H27R-SR-ODP-5603-4	2800	316,0	1488	95,8	0,89	2,5	1927	855
6 pole electric motors								
H27R-SR-ODP-3551-6	280	35,0	990	92,7	0,83	1,8	366	513
H27R-SR-ODP-3552-6	315	39,3	990	93,0	0,83	1,8	367	532
H27R-SR-ODP-3553-6	355	44,2	990	93,2	0,83	1,8	399	551
H27R-SR-ODP-3554-6	400	49,7	991	93,3	0,83	1,8	399	619
H27R-SR-ODP-4001-6	450	55,1	991	93,6	0,84	2,0	439	632
H27R-SR-ODP-4002-6	500	61,0	991	93,9	0,84	2,0	488	628
H27R-SR-ODP-4003-6	560	68,2	991	94,1	0,84	2,0	549	622
H27R-SR-ODP-4004-6	630	76,6	991	94,2	0,84	2,0	966	441
H27R-SR-ODP-4501-6	710	85,1	992	94,4	0,85	2,1	919	468
H27R-SR-ODP-4502-6	800	95,7	992	94,6	0,85	2,1	1098	497
H27R-SR-ODP-4503-6	900	107,6	992	94,7	0,85	2,2	1183	458
H27R-SR-ODP-4504-6	1000	118,0	992	94,8	0,86	2,2	1049	573
H27R-SR-ODP-5001-6	1120	132,1	992	94,9	0,86	2,2	1128	597
H27R-SR-ODP-5002-6	1250	147,2	992	95,0	0,86	2,3	1229	615



Technical data H27R-SR-ODP series (6 KV)

Type	Rated output (kW)	Rated current (A)	Speed (r/min)	Efficiency (%)	Power factor (cosΦ)	Mmax/Mn	Rotor voltage (V)	Rotor current (A)
6 pole electric motors								
H27R-SR-ODP-5003-6	1400	164,7	993	95,1	0,86	2,3	1473	568
H27R-SR-ODP-5004-6	1600	185,9	993	95,2	0,87	2,5	1638	584
H27R-SR-ODP-5601-6	1800	208,9	993	95,3	0,87	2,5	1829	583
H27R-SR-ODP-5602-6	2000	231,9	993	95,4	0,87	2,5	1860	644
H27R-SR-ODP-5603-6	2240	259,4	994	95,5	0,87	2,5	1900	700
H27R-SR-ODP-5604-6	2500	288,9	994	95,7	0,87	2,5	1935	765
8 pole electric motors								
H27R-SR-ODP-3551-8	250	33,3	739	92,5	0,78	1,8	473	327
H27R-SR-ODP-3552-8	280	36,8	740	92,6	0,79	1,8	509	339
H27R-SR-ODP-3553-8	315	41,4	740	92,7	0,79	1,8	587	327
H27R-SR-ODP-4001-8	355	46,0	740	92,8	0,80	1,8	636	340
H27R-SR-ODP-4002-8	400	51,7	740	93,1	0,80	1,8	693	351
H27R-SR-ODP-4003-8	450	57,9	740	93,5	0,80	1,8	763	357
H27R-SR-ODP-4004-8	500	64,2	740	93,7	0,80	1,8	723	420
H27R-SR-ODP-4501-8	560	70,9	741	93,8	0,81	1,8	797	428
H27R-SR-ODP-4502-8	630	79,7	741	93,9	0,81	1,8	886	432
H27R-SR-ODP-4503-8	710	89,7	741	94,0	0,81	2,0	952	455
H27R-SR-ODP-4504-8	800	100,9	742	94,2	0,81	2,0	850	576
H27R-SR-ODP-5001-8	900	112,0	742	94,3	0,82	2,0	957	573
H27R-SR-ODP-5002-8	1000	124,3	742	94,4	0,82	2,2	1093	553
H27R-SR-ODP-5003-8	1120	139,1	743	94,5	0,82	2,3	1177	578
H27R-SR-ODP-5004-8	1250	154,9	743	94,7	0,82	2,3	1277	596
H27R-SR-ODP-5601-8	1400	171,2	743	94,8	0,83	2,3	1394	613
H27R-SR-ODP-5602-8	1600	195,5	743	94,9	0,83	2,5	1534	637
H27R-SR-ODP-5603-8	1800	219,7	744	95,0	0,83	2,5	1610	665
H27R-SR-ODP-5604-8	2000	240,7	744	95,2	0,84	2,5	1705	677
10 pole electric motors								
H27R-SR-ODP-4001-10	250	33,9	593	92,0	0,77	1,8	582	262
H27R-SR-ODP-4002-10	280	38,0	593	92,1	0,77	1,8	631	272
H27R-SR-ODP-4003-10	315	42,6	593	92,3	0,77	1,8	687	279
H27R-SR-ODP-4004-10	355	47,4	593	92,4	0,78	1,8	757	285
H27R-SR-ODP-4501-10	400	53,3	595	92,6	0,78	1,9	793	303
H27R-SR-ODP-4502-10	450	59,9	595	92,7	0,78	1,9	882	306
H27R-SR-ODP-4503-10	500	65,6	595	92,9	0,79	1,9	948	317



Technical data for H27R-SR-ODP series (6 KV)

Type	Rated output (kW)	Rated current (A)	Speed (r/min)	Efficiency (%)	Power factor (cosΦ)	Mmax/Mn	Rotor voltage (V)	Rotor current (A)
10 pole electric motors								
H27R-SR-ODP-4504-10	560	73,3	595	93,0	0,79	1,9	1083	309
H27R-SR-ODP-5001-10	630	81,3	595	93,2	0,80	2,0	843	457
H27R-SR-ODP-5002-10	710	91,4	595	93,4	0,80	2,0	950	456
H27R-SR-ODP-5003-10	800	102,7	595	93,7	0,80	2,0	1084	445
H27R-SR-ODP-5004-10	900	115,4	595	93,8	0,80	2,0	1265	425
H27R-SR-ODP-5601-10	1000	126,5	596	93,9	0,81	2,0	1378	432
H27R-SR-ODP-5602-10	1120	141,4	596	94,1	0,81	2,0	1520	440
H27R-SR-ODP-5603-10	1250	157,3	596	94,4	0,81	2,0	1689	441
H27R-SR-ODP-5604-10	1400	176,0	596	94,5	0,81	2,0	1882	457
12 pole electric motors								
H27R-SR-ODP-4001-12	250	35,5	490	91,7	0,74	1,8	537	260
H27R-SR-ODP-4002-12	280	39,6	490	91,9	0,74	1,8	539	316
H27R-SR-ODP-4501-12	315	44,5	490	92,1	0,74	1,8	584	328
H27R-SR-ODP-4502-12	355	50,0	490	92,3	0,74	1,8	638	340
H27R-SR-ODP-4503-12	400	56,2	490	92,6	0,74	1,8	702	348
H27R-SR-ODP-4504-12	450	63,1	490	92,7	0,74	1,8	697	385
H27R-SR-ODP-5001-12	500	69,8	490	93,1	0,74	1,8	698	432
H27R-SR-ODP-5002-12	560	78,1	490	93,2	0,74	1,8	776	435
H27R-SR-ODP-5003-12	630	86,3	490	93,3	0,75	1,9	873	433
H27R-SR-ODP-5004-12	710	97,2	491	93,7	0,75	1,9	958	449
H27R-SR-ODP-5601-12	800	108,1	491	93,7	0,76	2,0	1034	473
H27R-SR-ODP-5602-12	900	120,0	491	93,8	0,77	2,0	1122	493
H27R-SR-ODP-5603-12	1000	133,1	491	93,9	0,77	2,0	1224	503
H27R-SR-ODP-5604-12	1120	148,9	491	94,0	0,77	2,0	1335	506



H27R-SR - Slip ring motors - modular type

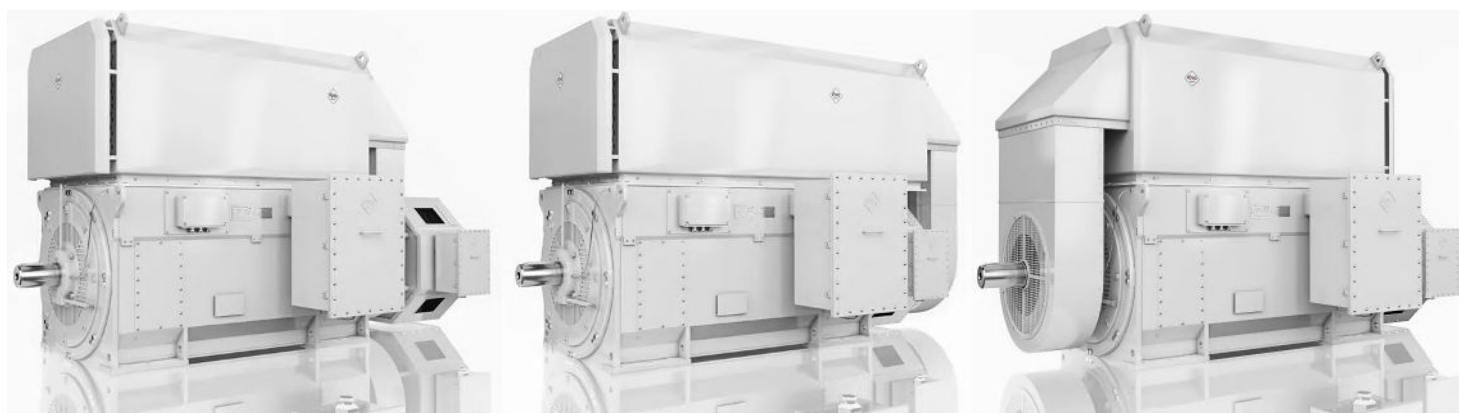


Electric motors H27R-SR series

Type of motor: H27R-SR (slip ring motor with wound rotor)
Frame sizes: 355 mm - 1000 mm
Power range: 132 kW - 20 000 kW
Voltage: 2000 V - 13 800 V
Frame material: welded steel frame
Protection: IP44, IP54, IP55
Cooling: IC611, IC616, IC666, IC86W, IC01, IC06

Mounting: B3, B35, V1, IM V15
Possible: Possible customized voltage of wound rotor
Accessories: PT100, PTC and other thermal elements can be chose to protect bearings and winding Heaters, anti-vibrations senzors and other

Gallery - 3D



Technical data H27R-SR series (6 KV)

Type	Rated output (kW)	Rated current (A)	Speed (r/min)	Efficiency (%)	Power factor (cosΦ)	Mmax/Mn	Rotor voltage (V)	Rotor current (A)
4 pole electric motors								
H27R-SR-3551-4	280	35,1	1478	92,4	0,83	1,8	401	423
H27R-SR-3552-4	315	39,4	1478	92,6	0,83	1,8	434	439
H27R-SR-3553-4	355	43,8	1479	92,8	0,84	1,8	474	452
H27R-SR-3554-4	400	49,3	1480	93,0	0,84	2,0	475	514
H27R-SR-4001-4	450	55,3	1482	93,2	0,84	2,0	521	520
H27R-SR-4002-4	500	61,3	1483	93,4	0,84	2,0	578	519
H27R-SR-4003-4	560	67,7	1483	93,6	0,85	2,0	649	515
H27R-SR-4004-4	630	76,0	1483	93,8	0,85	2,0	744	505
H27R-SR-4501-4	710	85,5	1484	94,0	0,85	2,1	921	460
H27R-SR-4502-4	800	96,0	1484	94,3	0,85	2,2	987	484
H27R-SR-4503-4	900	107,9	1484	94,4	0,85	2,2	1064	506
H27R-SR-4504-4	1000	118,4	1485	94,5	0,86	2,2	1153	518
H27R-SR-5001-4	1120	132,5	1488	94,6	0,86	2,2	1149	581
H27R-SR-5002-4	1250	147,5	1488	94,8	0,86	2,2	1256	594
H27R-SR-5003-4	1400	165,1	1488	94,9	0,86	2,4	1385	604
H27R-SR-5004-4	1600	186,3	1490	95,0	0,87	2,4	1537	622
H27R-SR-5601-4	1800	209,3	1490	95,1	0,87	2,5	1606	668
H27R-SR-5602-4	2000	232,1	1490	95,3	0,87	2,5	1734	686
H27R-SR-5603-4	2240	256,5	1490	95,5	0,88	2,5	1850	721
H27R-SR-5604-4	2500	285,9	1490	95,6	0,88	2,5	1956	761
6 pole electric motors								
H27R-SR-3551-6	250	32,9	990	92,6	0,79	1,8	365	414
H27R-SR-3552-6	280	36,8	990	92,8	0,79	1,8	399	424
H27R-SR-3553-6	315	41,3	990	92,9	0,79	1,8	395	479
H27R-SR-3554-6	355	46,9	990	93,0	0,79	1,8	436	491
H27R-SR-4001-6	400	51,6	990	93,3	0,80	1,9	484	497
H27R-SR-4002-6	450	58,0	990	93,4	0,80	1,9	546	496
H27R-SR-4003-6	500	64,3	990	93,6	0,80	1,9	857	348
H27R-SR-4004-6	560	71,8	991	93,8	0,80	2,0	920	361
H27R-SR-4501-6	630	77,8	991	93,9	0,83	2,2	1059	355
H27R-SR-4502-6	710	87,4	991	94,2	0,83	2,2	1159	363
H27R-SR-4503-6	800	98,2	991	94,4	0,83	2,2	1028	464
H27R-SR-4504-6	900	110,4	992	94,5	0,83	2,2	1060	511
H27R-SR-5001-6	1000	121,1	992	94,6	0,84	2,4	1237	484



Technical data for H27R-SR series (6 KV)

Type	Rated output (kW)	Rated current (A)	Speed (r/min)	Efficiency (%)	Power factor (cos Φ)	Mmax/Mn	Rotor voltage (V)	Rotor current (A)
6 pole electric motors								
H27R-SR-5002-6	1120	135,5	993	94,7	0,84	2,4	1345	496
H27R-SR-5003-6	1250	150,1	993	94,9	0,84	2,4	1455	516
H27R-SR-5004-6	1400	168,8	993	95,0	0,84	2,4	1560	538
H27R-SR-5601-6	1600	190,5	993	95,1	0,85	2,5	1592	602
H27R-SR-5602-6	1800	214,0	994	95,2	0,85	2,5	1616	665
H27R-SR-5603-6	2000	237,3	994	95,4	0,85	2,5	1740	687
8 pole electric motors								
H27R-SR-4001-8	280	37,9	740	92,4	0,77	1,8	633	265
H27R-SR-4002-8	315	42,5	740	92,7	0,77	1,8	691	273
H27R-SR-4003-8	355	47,8	740	92,8	0,77	1,8	601	352
H27R-SR-4004-8	400	53,1	740	93,0	0,78	1,8	661	360
H27R-SR-4501-8	450	59,6	741	93,1	0,78	1,8	735	364
H27R-SR-4502-8	500	65,9	741	93,6	0,78	1,8	826	358
H27R-SR-4503-8	560	72,7	742	93,8	0,79	2,0	741	450
H27R-SR-4504-8	630	81,7	742	93,9	0,79	2,0	742	509
H27R-SR-5001-8	710	90,9	743	94,0	0,80	2,0	835	512
H27R-SR-5002-8	800	102,1	743	94,2	0,80	2,0	956	500
H27R-SR-5003-8	900	112,0	743	94,3	0,82	2,2	1020	526
H27R-SR-5004-8	1000	124,3	743	94,4	0,82	2,2	1076	558
H27R-SR-5601-8	1120	139,1	745	94,5	0,82	2,5	1156	584
H27R-SR-5602-8	1250	154,9	745	94,7	0,82	2,5	1277	601
H27R-SR-5603-8	1400	171,2	745	94,8	0,83	2,5	1334	627
H27R-SR-5604-8	1600	195,3	745	95,0	0,83	2,5	1460	664
10 pole electric motors								
H27R-SR-4501-10	280	39,0	590	92,0	0,75	1,8	600	277
H27R-SR-4502-10	315	43,3	590	92,1	0,76	1,8	660	283
H27R-SR-4503-10	355	48,7	590	92,2	0,76	1,8	733	287
H27R-SR-4504-10	400	54,8	590	92,5	0,76	1,8	823	286
H27R-SR-5001-10	450	60,7	592	92,6	0,77	1,8	739	362
H27R-SR-5002-10	500	67,2	593	93,0	0,77	1,8	740	404

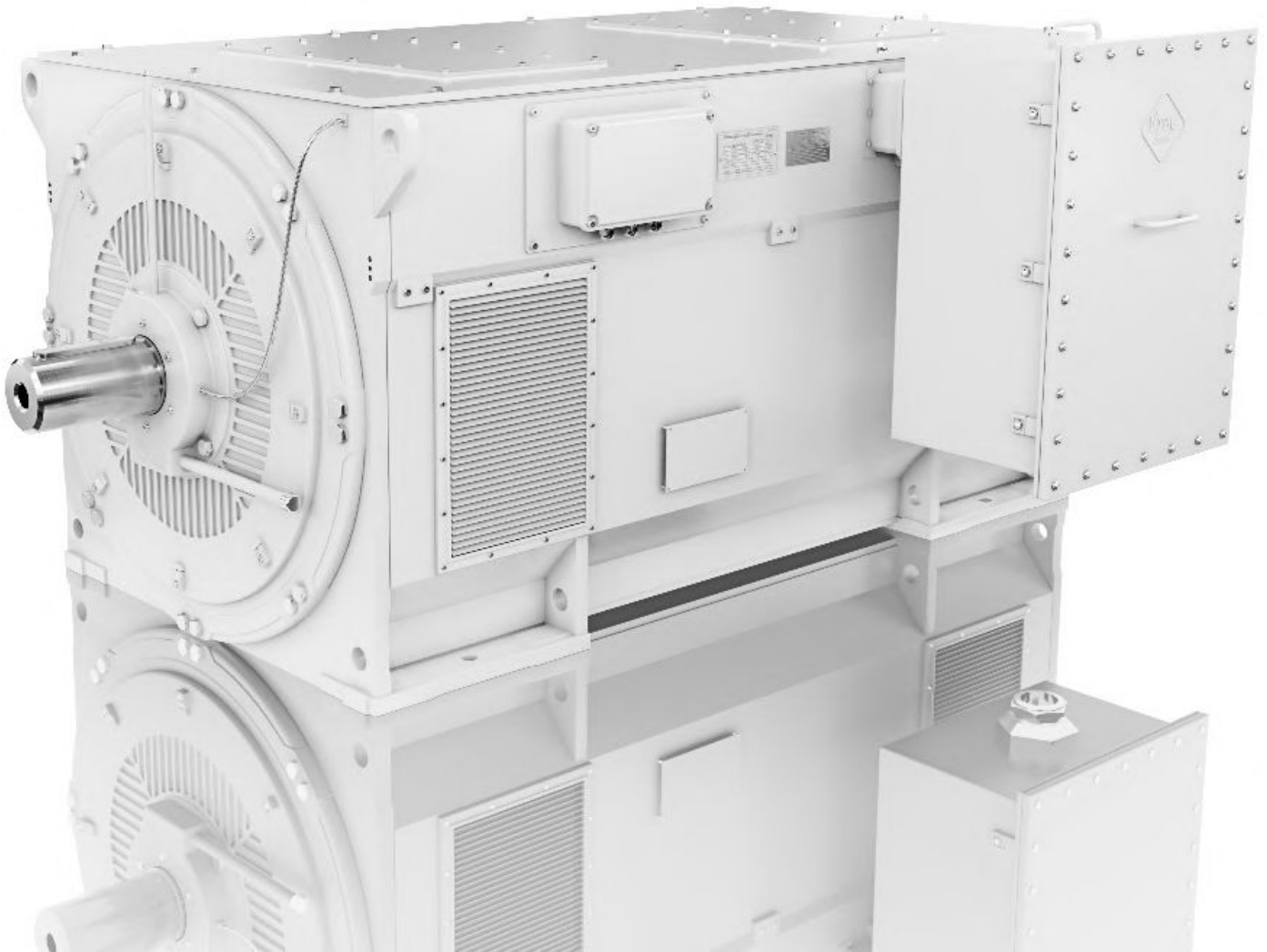


Technical data H27R-SR series (6 KV)

Type	Rated output (kW)	Rated current (A)	Speed (r/min)	Efficiency (%)	Power factor (cosΦ)	Mmax/Mn	Rotor voltage (V)	Rotor current (A)
10 pole electric motors								
H27R-SR-5003-10	560	75,2	593	93,1	0,77	1,9	834	402
H27R-SR-5004-10	630	83,4	593	93,2	0,78	1,9	954	395
H27R-SR-5601-10	710	93,8	595	93,4	0,78	2,0	989	432
H27R-SR-5602-10	800	104,0	595	93,7	0,79	2,0	1022	475
H27R-SR-5603-10	900	116,7	595	93,9	0,79	2,0	1155	472
H27R-SR-5604-10	1000	129,4	595	94,1	0,79	2,0	1226	500
12 pole electric motors								
H27R-SR-4501-12	250	36,4	490	91,7	0,72	1,8	501	296
H27R-SR-4502-12	280	40,7	490	91,9	0,72	1,8	539	308
H27R-SR-4503-12	315	45,1	490	92,1	0,73	1,8	584	320
H27R-SR-4504-12	355	50,7	491	92,3	0,73	1,8	706	298
H27R-SR-5001-12	400	56,9	491	92,6	0,73	1,9	701	337
H27R-SR-5002-12	450	63,1	492	92,7	0,74	1,9	785	341
H27R-SR-5003-12	500	69,8	492	93,1	0,74	1,9	797	384
H27R-SR-5004-12	560	77,1	492	93,2	0,75	2,0	853	393
H27R-SR-5601-12	630	86,6	493	93,3	0,75	2,0	977	386
H27R-SR-5602-12	710	97,5	495	93,4	0,75	2,0	992	431
H27R-SR-5603-12	800	109,5	495	93,7	0,75	2,0	1042	471
H27R-SR-5604-12	900	121,5	493	93,8	0,76	2,0	1163	476



H27R-ODP - High voltage motors - modular type



Electric motors H27R-ODP series

Type of motor: H27R-ODP
Frame sizes: 315 mm - 1000 mm
Power range: 110 kW - 10 000 kW
Voltage: 2 000 V - 13 800 V
Frame material: welded steel or cast iron
Protection: IP23W, IP23, IP33
Cooling: IC01, IC06

Mounting:
Possible:

B3, B35, V1, IM V15
Special winding of VFD use, can support several kinds of voltage and frequency
PT100, PTC and other thermal elements can be chose to protect bearings and winding
Heaters, anti-vibrations senzors and other

Accessories:

Gallery - 3D



Technical data for H27R-ODP series (10 KV)

Type	Rated output (kW)	Rated current (A)	Speed (r/min)	Efficiency (%)	Power factor (cosΦ)	Mmax/Mn	Mst/Mn	Ist/Mn	Jmotor (Kg.m2)	Jload (Kg.m2)	Weight (Kg)	
											H27R-ODP	H27R-WC
2 pole electric motors												
H27R-ODP-3551-2	315	21,2	2975	95,2	0,90	2,6	0,9	6,3	3,3	16,3	1960	2200
H27R-ODP-3552-2	355	23,9	2978	95,3	0,90	2,8	1,0	6,9	3,6	22,4	2000	2240
H27R-ODP-3553-2	400	26,9	2977	95,4	0,90	2,8	1,0	6,8	4	26	2070	2310
H27R-ODP-3554-2	450	30,2	2978	95,5	0,90	2,8	1,0	6,8	4,3	31	2110	2360
H27R-ODP-4001-2	500	33,6	2979	95,6	0,90	2,5	1,0	6,5	6,2	34	2740	3020
H27R-ODP-4002-2	560	37,5	2979	95,7	0,90	2,5	1,0	6,6	6,8	41	2820	3100
H27R-ODP-4003-2	630	42,2	2980	95,8	0,90	2,5	1,0	6,7	7,4	45	2930	3210
H27R-ODP-4004-2	710	47,5	2980	95,9	0,90	2,6	1,1	7,0	8	49	3030	3310
H27R-ODP-4501-2	800	52,3	2982	96,0	0,92	2,5	0,7	6,0	11	32	3500	4150
H27R-ODP-4502-2	900	58,8	2893	96,1	0,92	2,7	0,7	6,6	12,7	41	3660	4310
H27R-ODP-4503-2	1000	65,2	2983	96,2	0,92	2,6	0,7	6,4	14	43	3820	4470
H27R-ODP-4504-2	1120	73,0	2983	96,3	0,92	2,6	0,7	6,3	15	50	3990	4630
H27R-ODP-5001-2	1250	81,4	2984	96,4	0,92	2,9	0,7	6,8	18	53	4100	4820
H27R-ODP-5002-2	1400	90,1	2984	96,5	0,93	2,9	0,7	6,8	21	61	4200	4920
H27R-ODP-5003-2	1600	102,8	2984	96,6	0,93	2,8	0,7	6,8	23	69,5	4300	5030
H27R-ODP-5004-2	1800	115,6	2985	96,7	0,93	2,9	0,8	7,0	26	74	4400	5140
H27R-ODP-5601-2	2000	129,7	2982	96,8	0,92	2,1	0,5	5,2	34	108	6900	7650
H27R-ODP-5602-2	2240	145,1	2983	96,9	0,92	2,2	0,6	5,4	37	126	7150	7900
H27R-ODP-5603-2	2500	160,0	2984	97,0	0,93	2,3	0,6	5,8	41	144	7400	8150
H27R-ODP-5604-2	2800	179,0	2986	97,1	0,93	2,5	0,7	6,5	45	160	7650	8400
4 pole electric motors												
H27R-ODP-3551-4	315	21,5	1486	94,1	0,90	2,3	0,9	5,9	6,9	88	2010	2250
H27R-ODP-3552-4	355	24,2	1488	94,2	0,90	2,6	1,0	6,5	7,5	103	2040	2340
H27R-ODP-3553-4	400	27,2	1488	94,3	0,90	2,5	1,0	6,5	8	119	2080	2380
H27R-ODP-3554-4	450	30,6	1487	94,4	0,90	2,5	1,0	6,4	9	144	2130	2240
H27R-ODP-4001-4	500	33,9	1487	94,6	0,90	2,0	0,7	5,2	14	156	2760	3110
H27R-ODP-4002-4	560	37,9	1487	94,7	0,90	2,0	0,8	5,3	16	186	2820	3180
H27R-ODP-4003-4	630	42,9	1487	94,8	0,90	2,0	0,8	5,2	17,4	207	2970	3270
H27R-ODP-4004-4	710	47,5	1487	94,9	0,91	2,1	0,8	5,4	19,3	229	3050	3370
H27R-ODP-4501-4	800	51,3	1490	95,0	0,90	2,5	0,8	6,2	21	245	3560	4350
H27R-ODP-4502-4	900	60,6	1491	95,2	0,90	2,6	0,9	6,5	23	272	3720	4510
H27R-ODP-4503-4	1000	67,3	1491	95,3	0,90	2,5	0,9	6,4	24,6	324	3880	4770
H27R-ODP-4504-4	1120	75,3	1490	95,4	0,90	2,4	0,9	6,2	27	345	4040	4860
H27R-ODP-5001-4	1250	83,0	1491	95,6	0,91	2,4	0,8	6,3	46	408	4400	5080



Technical data H27R-ODP series (10 KV)

Type	Rated output (kW)	Rated current (A)	Speed (r/min)	Efficiency (%)	Power factor (cosΦ)	Mmax/Mn	Mst/Mn	Ist/Mn	Jmotor (Kg.m2)	Jload (Kg.m2)	Weight (Kg)	
											H27R-ODP	H27R-WC
4 pole electric motors												
H27R-ODP-5002-4	1400	92,7	1491	95,8	0,91	2,3	0,8	6,3	51	464	4500	5200
H27R-ODP-5003-4	1600	105,9	1491	95,9	0,91	2,3	0,8	6,3	56	525	4600	5300
H27R-ODP-5004-4	1800	119,0	1491	96,0	0,91	2,3	0,9	6,5	61	564	4900	5610
H27R-ODP-5601-4	2000	131,9	1492	96,2	0,91	2,5	0,9	6,6	79	605	6950	7700
H27R-ODP-5602-4	2240	147,6	1491	96,3	0,91	2,3	0,9	6,3	87	664	7200	8000
H27R-ODP-5603-4	2500	162,7	1491	96,4	0,92	2,2	0,8	6,1	95	715	7450	8200
H27R-ODP-5604-4	2800	182,1	1491	96,5	0,92	2,1	0,8	5,7	106	746	7700	8450
6 pole electric motors												
H27R-ODP-4001-6	400	28,4	989	94,5	0,86	2,2	1,0	5,7	19	328	2540	2990
H27R-ODP-4002-6	450	31,9	989	94,6	0,86	2,1	1,0	5,5	20	393	2640	3090
H27R-ODP-4003-6	500	35,0	989	94,7	0,87	2,0	1,0	5,3	23	441	2730	3170
H27R-ODP-4004-6	560	39,2	989	94,8	0,87	2,0	1,0	5,4	25	493	2940	3280
H27R-ODP-4501-6	630	44,6	989	94,9	0,86	1,8	0,8	4,7	29	602	3110	3900
H27R-ODP-4502-6	710	50,2	989	95,0	0,86	1,8	0,8	4,7	33	681	3200	3990
H27R-ODP-4503-6	800	56,4	989	95,2	0,86	1,8	0,8	4,7	36	822	3330	4130
H27R-ODP-4504-6	900	63,4	990	95,3	0,86	1,9	0,9	5,0	40	911	3450	4250
H27R-ODP-5001-6	1000	68,7	992	95,5	0,88	2,1	1,0	5,7	57	1010	4000	4910
H27R-ODP-5002-6	1120	76,9	992	95,6	0,88	2,0	0,9	5,5	64	1160	4100	5000
H27R-ODP-5003-6	1250	85,7	992	95,7	0,88	2,0	0,9	5,5	70	1230	4400	5310
H27R-ODP-5004-6	1400	95,9	991	95,8	0,88	2,0	0,9	5,4	78	1390	4600	5500
H27R-ODP-5601-6	1600	109,3	993	96,0	0,88	2,0	0,8	5,3	99	1310	7030	7850
H27R-ODP-5602-6	1800	122,9	993	96,1	0,88	2,0	0,8	5,5	107	1470	7260	8150
H27R-ODP-5603-6	2000	136,4	994	96,2	0,88	2,1	0,9	5,8	120	1660	7520	8350
H27R-ODP-5604-6	2240	152,6	994	96,3	0,88	2,2	0,9	6,2	132	1970	7800	8720
8 pole electric motors												
H27R-ODP-4001-8	315	24,0	742	93,5	0,81	2,2	1,2	5,5	27	766	2450	2900
H27R-ODP-4002-8	355	26,7	741	93,6	0,82	2,1	1,1	5,2	30	929	2530	2970
H27R-ODP-4003-8	400	30,1	741	93,7	0,82	2,0	1,0	5,1	33	1020	2570	3020
H27R-ODP-4004-8	450	33,8	741	93,8	0,82	2,0	1,1	5,1	36	1140	2680	3150
H27R-ODP-4501-8	500	37,3	742	94,4	0,82	1,9	1,0	5,0	39	1010	3040	3840
H27R-ODP-4502-8	560	41,7	742	94,5	0,82	1,9	1,0	5,0	43	1130	3190	3990
H27R-ODP-4503-8	630	46,8	742	94,7	0,82	1,9	1,0	5,1	47	1260	3240	4040
H27R-ODP-4504-8	710	52,7	742	94,8	0,82	2,0	1,1	5,2	52	1330	3370	4170
H27R-ODP-5001-8	800	58,6	743	94,9	0,82	2,3	1,1	5,9	82	1490	3900	4800

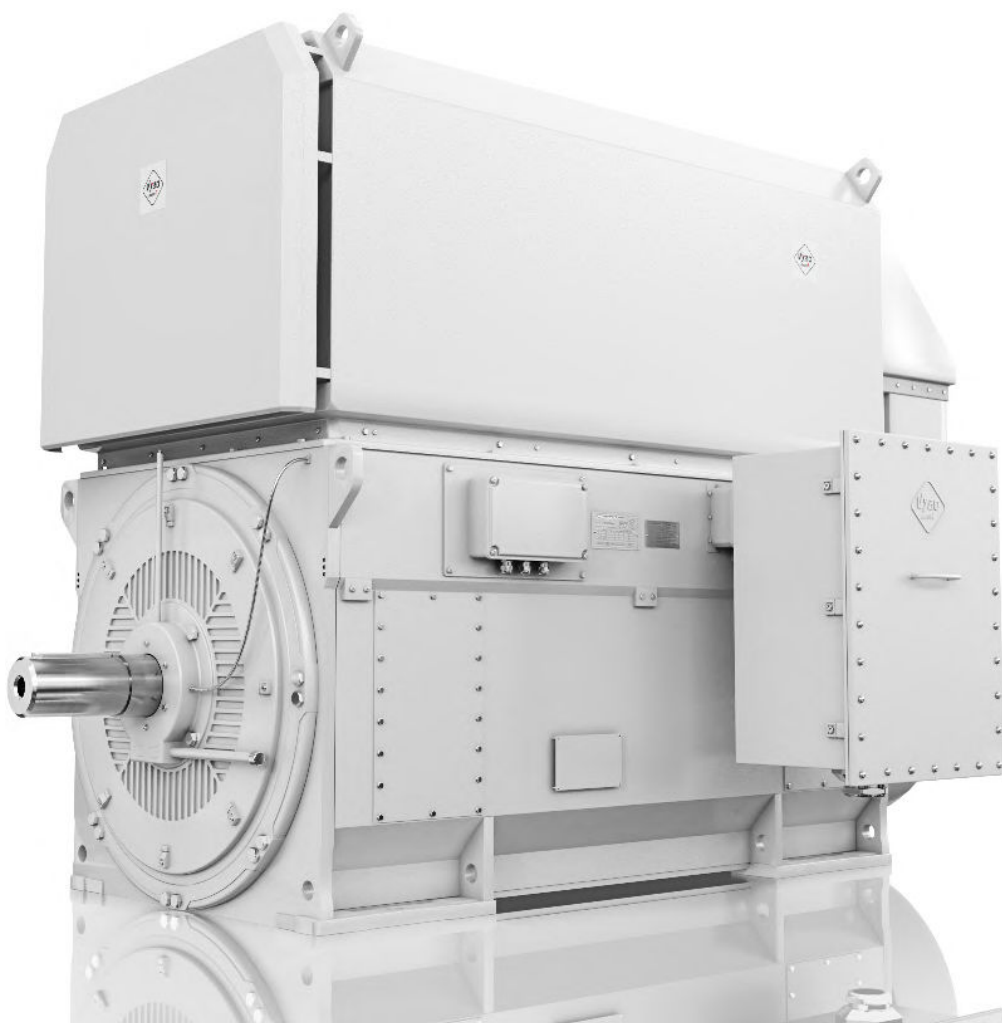


Technical data for H27R-ODP series (10 KV)

Type	Rated output (kW)	Rated current (A)	Speed (r/min)	Efficiency (%)	Power factor (cosΦ)	Mmax/Mn	Mst/Mn	Ist/Mn	Jmotor (Kg.m2)	Jload (Kg.m2)	Weight (Kg)	
											H27R-ODP	H27R-WC
8 pole electric motors												
H27R-ODP-5002-8	900	65,9	743	95,0	0,83	2,2	1,1	5,7	89	1610	4050	4950
H27R-ODP-5003-8	1000	73,1	743	95,1	0,83	2,2	1,1	5,6	99	1810	4250	5150
H27R-ODP-5004-8	1120	80,9	743	95,2	0,84	2,2	1,1	5,6	111	2030	4400	5300
H27R-ODP-5601-8	1250	90,2	744	95,3	0,84	1,9	0,9	5,1	143	2200	7120	7940
H27R-ODP-5602-8	1400	100,9	744	95,4	0,84	1,9	0,9	5,1	159	2470	7360	8220
H27R-ODP-5603-8	1600	115,2	744	95,5	0,84	1,9	0,9	5,0	175	2980	7600	8450
H27R-ODP-5604-8	1800	129,4	744	95,6	0,84	2,0	0,9	5,3	191	3300	7900	8730
10 pole electric motors												
H27R-ODP-4001-10	250	20,7	593	92,9	0,75	2,0	0,9	5,0	30	1210	2530	2980
H27R-ODP-4002-10	280	23,2	593	93,1	0,75	2,0	0,9	4,9	33	1430	2600	3040
H27R-ODP-4003-10	315	25,6	593	93,3	0,76	2,0	1,0	5,1	36	1650	2710	3150
H27R-ODP-4501-10	355	28,5	594	93,5	0,77	2,2	1,2	5,4	45	2060	3000	3800
H27R-ODP-4502-10	400	32,0	594	93,6	0,77	2,1	1,1	5,2	50	2320	3080	3880
H27R-ODP-4503-10	450	36,0	594	93,7	0,77	2,1	1,1	5,2	54	2610	3220	4020
H27R-ODP-4504-10	500	40,0	594	93,8	0,77	2,1	1,1	5,2	60	2820	3280	4080
H27R-ODP-5001-10	560	44,7	593	94,0	0,77	1,9	1,0	4,7	91	3820	3900	4800
H27R-ODP-5002-10	630	50,2	593	94,1	0,77	1,8	0,9	4,3	101	4050	4050	4950
H27R-ODP-5003-10	710	56,5	593	94,2	0,77	1,8	1,0	4,5	111	5110	4200	5100
H27R-ODP-5004-10	800	63,6	593	94,3	0,77	1,8	0,9	4,2	121	5350	4350	5200
H27R-ODP-5601-10	900	67,5	594	95,0	0,81	1,9	0,9	4,8	151	4100	7050	7900
H27R-ODP-5602-10	1000	74,9	594	95,2	0,81	1,9	0,9	4,8	168	4550	7320	8150
H27R-ODP-5603-10	1120	83,8	595	95,3	0,81	1,9	0,9	4,9	185	5100	7530	8450
H27R-ODP-5604-10	1250	93,4	595	95,4	0,81	2,0	0,9	5,1	202	5650	7820	8670
12 pole electric motors												
H27R-ODP-4501-12	280	23,2	493	93,0	0,75	2,3	1,2	5,1	49	2730	3070	3870
H27R-ODP-4502-12	315	25,7	493	93,1	0,76	2,2	1,1	5,0	53	3020	3160	3960
H27R-ODP-4503-12	355	28,9	493	93,2	0,76	2,2	1,2	5,0	58	3350	3240	4040
H27R-ODP-4504-12	400	32,6	493	93,3	0,76	2,2	1,2	5,0	65	3770	3310	4100
H27R-ODP-5001-12	450	34,8	493	93,4	0,80	1,8	0,9	4,3	100	3940	3900	4800
H27R-ODP-5002-12	500	38,6	493	93,5	0,80	1,9	0,9	4,3	109	4420	4000	4900
H27R-ODP-5003-12	560	43,2	493	93,6	0,80	1,9	0,9	4,3	121	4740	4150	5050
H27R-ODP-5004-12	630	48,5	493	93,7	0,80	1,9	0,9	4,4	133	5880	4300	5200
H27R-ODP-5601-12	710	53,9	494	93,9	0,81	1,9	0,9	4,5	168	5590	7100	8000
H27R-ODP-5602-12	800	59,9	494	94,0	0,82	1,8	0,9	4,4	187	6390	7300	8260
H27R-ODP-5603-12	900	67,3	493	94,1	0,82	1,8	0,9	4,3	206	7000	7500	8450
H27R-ODP-5604-12	1000	74,7	494	94,2	0,82	1,9	0,9	4,5	225	7840	7780	8740



H27R- Medium and high voltage motors - modular type



Electric motors H27R series

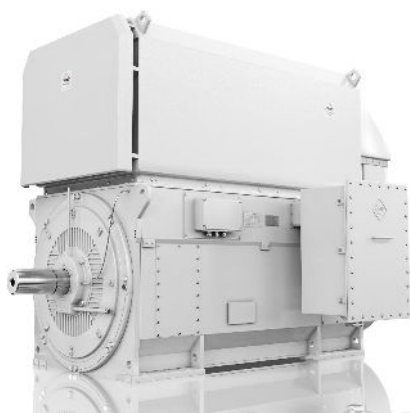
Type of motor: H27R
Frame sizes: 315 mm - 1 000 mm
Power range: 110 kW - 10 000 kW
Voltage: 2 000 V - 13 800 V
Frame material: welded steel or cast iron
Protection: IP44, IP55, IP56, IP65, IP67
Cooling: IC611, IC616, IC666

Mounting:
Possible:

B3, B35, V1, IM V15
Special winding of VFD use, can support several kinds of voltage and frequency
PT100, PTC and other thermal elements can be chose to protect bearings and winding
Heaters, anti-vibrations senzors and other

Accessories:

Gallery - 3D



Technical data H27R series (10 KV)

Type	Rated output (kW)	Rated current (A)	Speed (r/min)	Efficiency (%)	Power factor (cosΦ)	Mmax/Mn	Mst/Mn	Ist/Mn	Jmotor (Kg.m ²)	Jload (Kg.m ²)	Weight (kg)
2 pole electric motors											
H27R-3551-2	280	18,9	2978	95,0	0,90	2,6	0,9	6,4	3,6	34	2200
H27R-3552-2	315	21,2	2981	95,1	0,90	2,9	1,0	7,0	4	42	2250
H27R-3553-2	355	23,9	2981	95,2	0,90	2,8	1,0	7,0	4,3	46,4	2300
H27R-3554-2	400	26,9	2981	95,3	0,90	2,8	1,0	7,0	4,7	52	2350
H27R-4001-2	450	30,3	2980	95,4	0,90	2,5	1,0	6,5	6,8	65	2650
H27R-4002-2	500	33,6	2981	95,6	0,90	2,5	1,0	6,6	7,4	73	2730
H27R-4003-2	560	37,5	2981	95,7	0,90	2,5	1,1	6,8	8	81	2850
H27R-4004-2	630	42,2	2982	95,8	0,90	2,5	1,1	6,9	8,9	88	2950
H27R-4501-2	710	47,5	2984	95,9	0,90	2,6	0,9	6,6	11	65	3900
H27R-4502-2	800	53,5	2985	96,0	0,90	2,7	1,0	7,0	13	83	4200
H27R-4503-2	900	60,1	2985	96,1	0,90	2,6	1,0	6,9	14	87	4500
H27R-4504-2	1000	66,6	2985	96,3	0,90	2,6	1,0	6,9	15,4	99	4800
H27R-5001-2	1120	73,6	2987	96,5	0,91	2,9	0,7	7,0	19	78	5100
H27R-5002-2	1250	82,1	2987	96,6	0,91	2,8	0,8	7,0	21	92	5340
H27R-5003-2	1400	90,9	2987	96,7	0,92	2,9	0,8	7,2	24	101	5550
H27R-5004-2	1600	103,7	2988	96,8	0,92	2,9	0,8	7,3	26	113	5780
H27R-5601-2	1800	116,7	2986	96,9	0,92	2,2	0,6	5,6	34	114	6800
H27R-5602-2	2000	129,5	2986	96,9	0,92	2,3	0,6	5,9	37	132	6900
H27R-5603-2	2240	144,9	2987	97,0	0,92	2,5	0,7	6,4	41	149	7150
H27R-5604-2	2500	161,6	2988	97,1	0,92	2,7	0,8	7,0	45	182	7460
4 pole electric motors											
H27R-3551-4	280	19,2	1488	94,4	0,89	2,5	1,0	6,3	6,9	124	2450
H27R-3552-4	315	21,6	1487	94,5	0,89	2,4	1,0	6,1	7,5	145	2500
H27R-3553-4	355	24,3	1487	94,6	0,89	2,3	1,0	5,9	8	173	2550
H27R-3554-4	400	27,4	1489	94,7	0,89	2,6	1,1	6,7	9	197	2600
H27R-4001-4	450	30,4	1488	94,9	0,90	2,3	0,8	5,7	14	218	2690
H27R-4002-4	500	33,7	1488	95,1	0,90	2,3	0,8	5,8	16	242	2750
H27R-4003-4	560	37,7	1488	95,2	0,90	2,2	0,8	5,7	17,4	272	2820
H27R-4004-4	630	42,4	1488	95,3	0,90	2,3	0,9	5,9	19,3	306	2940
H27R-4501-4	710	48,3	1491	95,4	0,89	2,4	0,8	6,1	20	283	4320
H27R-4502-4	800	54,3	1492	95,5	0,89	2,5	0,9	6,4	22	305	4480
H27R-4503-4	900	60,4	1491	95,6	0,90	2,3	0,8	6,1	25	363	4640
H27R-4504-4	1000	67,0	1491	95,7	0,90	2,2	0,8	5,9	27	387	4810
H27R-5001-4	1120	75,0	1491	95,8	0,90	1,9	0,7	5,2	46	491	5540



Technical data for H27R series (10 KV)

Type	Rated output (kW)	Rated current (A)	Speed (r/min)	Efficiency (%)	Power factor (cosφ)	Mmax/Mn	Mst/Mn	Ist/Mn	Jmotor (Kg.m ²)	Jload (Kg.m ²)	Weight (kg)
4 pole electric motors											
H27R-5002-4	1250	83,6	1491	95,9	0,90	1,9	0,7	5,1	51	566	5680
H27R-5003-4	1400	93,6	1491	96,0	0,90	1,9	0,7	5,1	56	653	5780
H27R-5004-4	1600	106,8	1491	96,1	0,90	1,9	0,7	5,1	61	710	5950
H27R-5601-4	1800	120,0	1493	96,2	0,90	2,4	0,8	6,4	64	588	7800
H27R-5602-4	2000	133,2	1494	96,3	0,90	2,6	0,8	6,8	70	663	8050
H27R-5603-4	2240	147,4	1493	96,4	0,91	2,1	0,7	6,8	77	757	8300
H27R-5604-4	2500	164,4	1493	96,5	0,91	2,3	0,8	6,4	85	809	8560
6 pole electric motors											
H27R-4001-6	315	22,8	990	94,0	0,85	2,1	0,9	5,1	17	397	2700
H27R-4002-6	355	25,6	990	94,1	0,85	1,9	0,8	4,9	19	462	2800
H27R-4003-6	400	28,8	990	94,2	0,85	2,2	1,0	5,6	20	545	2895
H27R-4004-6	450	32,4	991	94,3	0,85	2,1	0,9	5,4	22	630	3020
H27R-4005-6	500	36,0	991	94,4	0,85	2,1	1,0	5,5	25	714	3150
H27R-4501-6	560	40,2	991	94,6	0,85	2,0	0,9	5,3	29	685	4300
H27R-4502-6	630	44,7	991	94,7	0,86	2,0	0,9	5,2	33	783	4460
H27R-4503-6	710	50,3	991	94,8	0,86	2,0	0,9	5,3	36	842	4610
H27R-4504-6	800	56,5	992	95,0	0,86	2,1	0,9	5,5	40	1070	4730
H27R-5001-6	900	62,8	992	95,1	0,87	2,2	0,9	5,6	62	1030	5250
H27R-5002-6	1000	68,9	992	95,2	0,88	2,2	0,9	5,6	69	1170	5340
H27R-5003-6	1120	77,1	992	95,3	0,88	2,1	0,9	5,6	75	1340	5600
H27R-5004-6	1250	85,9	992	95,4	0,88	2,1	0,9	5,6	83	1470	5780
H27R-5601-6	1400	96,1	993	95,6	0,88	1,9	0,9	5,5	107	1410	7500
H27R-5602-6	1600	109,7	993	95,7	0,88	1,9	0,9	5,5	120	1580	7850
H27R-5603-6	1800	121,9	994	95,8	0,89	2,0	0,9	5,7	132	1770	8100
H27R-5604-6	2000	135,1	994	96,0	0,89	2,1	1,0	6,3	144	2100	8360
8 pole electric motors											
H27R-4001-8	280	21,7	743	93,2	0,80	2,5	1,3	6,0	27	788	2700
H27R-4002-8	315	24,3	742	93,4	0,80	2,4	1,2	5,8	30	960	2750
H27R-4003-8	355	27,1	742	93,5	0,81	2,3	1,2	5,6	33	1060	2790
H27R-4004-8	400	30,5	742	93,6	0,81	2,3	1,2	5,6	36	1180	2850
H27R-4501-8	450	34,1	743	94,0	0,81	2,0	1,0	5,1	39	1030	4450
H27R-4502-8	500	37,8	743	94,2	0,81	2,1	1,0	5,2	43	1160	4560
H27R-4503-8	560	42,3	743	94,4	0,81	2,1	1,0	5,3	47	1390	4640
H27R-4504-8	630	47,5	743	94,5	0,81	2,1	1,1	5,4	52	1540	4750

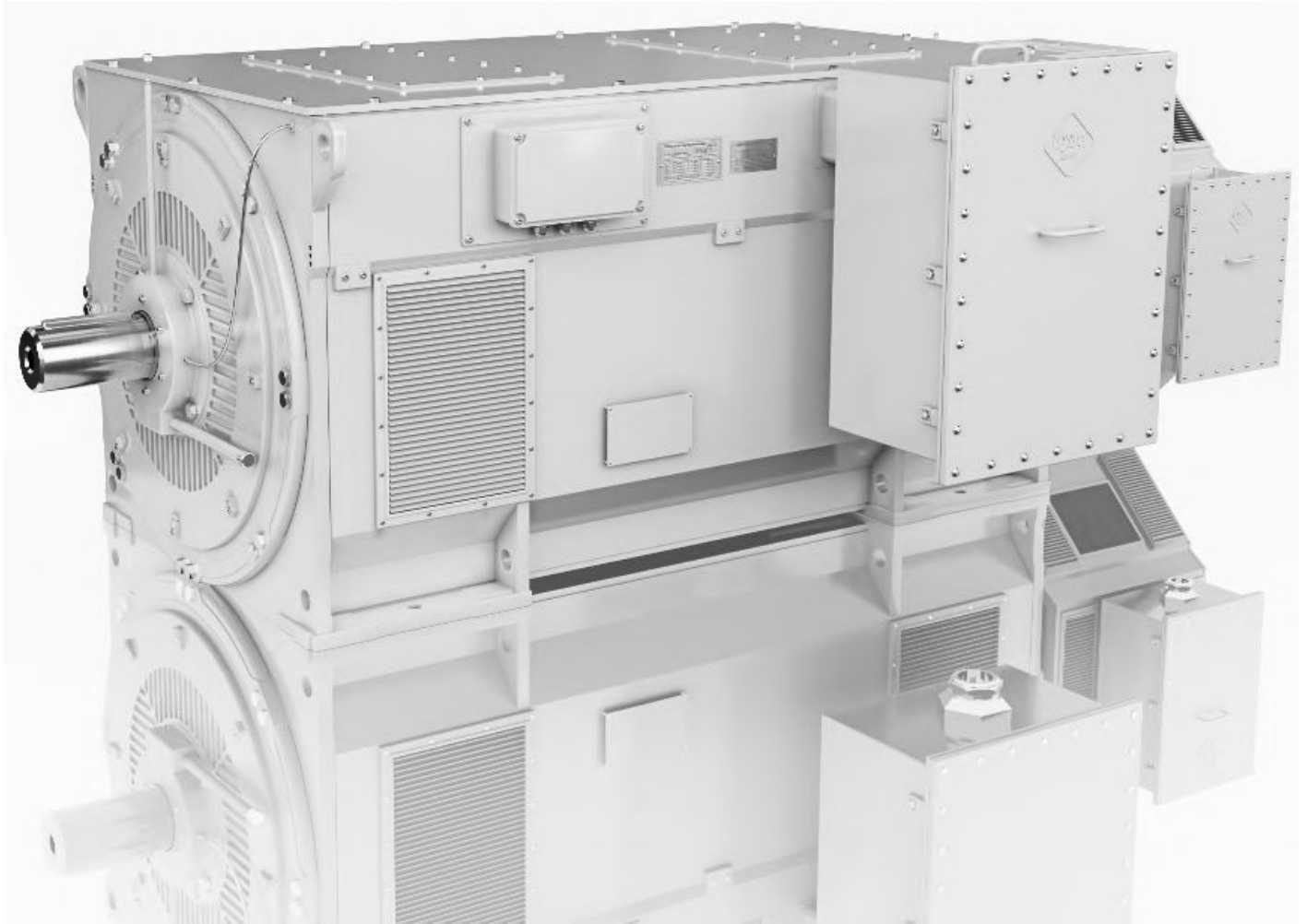


Technical data H27R series (10 KV)

Type	Rated output (kW)	Rated current (A)	Speed (r/min)	Efficiency (%)	Power factor (cosΦ)	Mmax/Mn	Mst/Mn	Ist/Mn	Jmotor (Kg.m2)	Jload (Kg.m2)	Weight (kg)
8 pole electric motors											
H27R-5001-8	710	52,7	744	94,9	0,82	2,2	1,0	5,6	83	1520	5100
H27R-5002-8	800	58,6	744	95,0	0,83	2,1	1,0	5,3	90	1840	5180
H27R-5003-8	900	65,8	743	95,1	0,83	2,0	0,9	5,1	100	2070	5320
H27R-5004-8	1000	72,2	743	95,2	0,84	1,9	0,9	5,0	111	2350	5550
H27R-5601-8	1120	79,8	744	95,3	0,85	1,9	0,7	4,8	143	2250	7500
H27R-5602-8	1250	89,0	744	95,4	0,85	1,8	0,7	4,7	159	2550	7750
H27R-5603-8	1400	99,6	744	95,5	0,85	1,8	0,7	4,7	175	2890	8000
H27R-5604-8	1600	113,7	744	95,6	0,85	1,8	0,7	4,7	191	3090	8200
10 pole electric motors											
H27R-4501-10	315	24,7	593	93,1	0,79	2,0	1,0	4,9	45	1930	4570
H27R-4502-10	355	27,8	593	93,2	0,79	1,9	0,9	4,7	50	2150	4660
H27R-4503-10	400	30,9	593	93,3	0,79	1,9	0,9	4,6	54	2410	4760
H27R-4504-10	450	34,8	593	93,4	0,80	1,8	0,9	4,5	60	2730	4850
H27R-5001-10	500	39,0	595	93,6	0,79	2,1	1,1	5,4	91	2920	5100
H27R-5002-10	560	43,1	594	93,8	0,80	1,9	0,9	4,9	101	3470	5270
H27R-5003-10	630	48,4	594	93,9	0,80	2,0	0,9	5,0	111	4300	5420
H27R-5004-10	710	54,5	594	94,0	0,80	1,9	0,9	4,7	122	4580	5640
H27R-5601-10	800	60,3	594	94,6	0,81	1,8	0,8	4,6	151	3770	7460
H27R-5602-10	900	67,7	594	94,7	0,81	1,8	0,8	4,4	168	4300	7680
H27R-5603-10	1000	75,2	594	94,8	0,81	1,8	0,8	4,4	185	4740	7900
H27R-5604-10	1120	84,1	594	94,9	0,81	1,8	0,8	4,5	202	5300	8100
12 pole electric motors											
H27R-4501-12	280	22,4	494	92,7	0,78	2,1	1,0	4,7	53	3060	4500
H27R-4502-12	315	25,1	494	92,8	0,78	2,0	0,9	4,7	58	3430	4680
H27R-4503-12	355	28,3	494	92,9	0,78	2,0	0,9	4,5	65	3900	4670
H27R-5001-12	400	31,0	494	93,0	0,80	2,1	1,0	4,7	100	4110	5150
H27R-5002-12	450	34,9	494	93,1	0,80	2,1	1,0	4,7	109	4590	5240
H27R-5003-12	500	38,7	494	93,2	0,80	2,1	1,0	4,8	121	4930	5310
H27R-5004-12	560	43,3	494	93,3	0,80	2,1	1,0	4,9	133	6130	5540
H27R-5601-12	630	47,9	494	93,8	0,81	1,8	0,9	4,3	168	4940	7400
H27R-5602-12	710	53,9	494	93,9	0,81	1,8	0,8	4,1	186	5590	7600
H27R-5603-12	800	60,7	494	94,0	0,81	1,8	0,8	4,1	205	6330	7800
H27R-5604-12	900	68,2	494	94,1	0,81	1,8	0,8	4,1	224	6440	8000



H27R-SR-ODP - Slip ring motors - modular type



Electric motors H27R-SR-ODP series

Type of motor:	H27R-SR-ODP (slip ring motor with wound rotor)
Frame sizes:	355 mm - 1000 mm
Power range:	132 kW - 20 000 kW
Voltage:	2000 V - 13 800 V
Frame material:	welded steel frame
Protection:	IP21
Cooling:	IC01, IC06

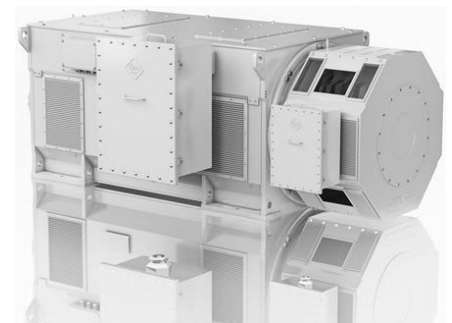
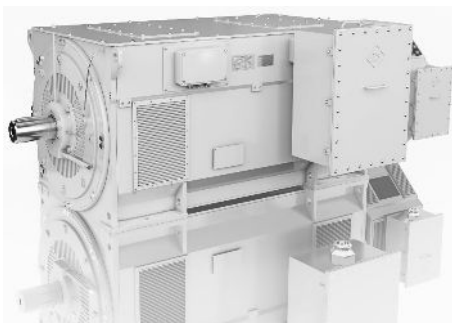
Mounting:
Possible:

B3, B35, V1, IM V15
Possible customized voltage of wound rotor

Accessories:

PT100, PTC and other thermal elements can be chose to protect bearings and winding Heaters, anti-vibrations senzors and other

Gallery - 3D



Technical data for H27R-SR-ODP- series (10 KV)

Type	Rated output (kW)	Rated current (A)	Speed (r/min)	Efficiency (%)	Power factor (cosΦ)	Mmax/Mn	Rotor voltage (V)	Rotor current (A)
4 pole electric motors								
H27R-SR-ODP-3551-4	280	20,8	1490	92,4	0,84	1,8	403	415
H27R-SR-ODP-3552-4	315	23,4	1490	92,5	0,84	1,8	454	423
H27R-SR-ODP-3553-4	355	26,3	1490	92,8	0,84	1,8	507	426
H27R-SR-ODP-3554-4	400	29,2	1490	93,1	0,85	1,8	552	438
H27R-SR-ODP-4001-4	450	32,8	1490	93,3	0,85	1,8	577	472
H27R-SR-ODP-4002-4	500	36,3	1490	93,6	0,85	1,8	634	475
H27R-SR-ODP-4003-4	560	40,6	1490	93,8	0,85	1,8	674	500
H27R-SR-ODP-4004-4	630	45,4	1490	94,2	0,85	1,8	641	590
H27R-SR-ODP-4501-4	710	51,0	1490	94,6	0,85	2,0	660	647
H27R-SR-ODP-4502-4	800	57,4	1490	94,7	0,85	2,0	701	688
H27R-SR-ODP-4503-4	900	64,5	1492	94,8	0,85	2,0	722	754
H27R-SR-ODP-4504-4	1000	70,7	1492	94,9	0,86	2,0	795	760
H27R-SR-ODP-5001-4	1120	79,1	1492	95,1	0,86	2,1	938	714
H27R-SR-ODP-5002-4	1250	87,1	1493	95,2	0,87	2,1	1018	734
H27R-SR-ODP-5003-4	1400	97,5	1493	95,3	0,87	2,1	1112	753
H27R-SR-ODP-5004-4	1600	111,3	1492	95,4	0,87	2,2	1253	760
H27R-SR-ODP-5601-4	1800	123,7	1492	95,5	0,88	2,2	1642	654
H27R-SR-ODP-5602-4	2000	137,3	1493	95,6	0,88	2,5	1781	671
H27R-SR-ODP-5603-4	2240	153,6	1493	95,7	0,88	2,5	1829	726
H27R-SR-ODP-5604-4	2500	171,2	1493	95,8	0,88	2,5	2043	729
6 pole electric motors								
H27R-SR-ODP-4001-6	315	24,3	990	92,4	0,81	1,8	509	375
H27R-SR-ODP-4002-6	355	27,3	990	92,6	0,81	1,8	552	389
H27R-SR-ODP-4003-6	400	30,7	990	92,8	0,81	1,8	602	401
H27R-SR-ODP-4004-6	450	34,5	991	93,1	0,81	1,8	812	332
H27R-SR-ODP-4005-6	500	38,2	991	93,4	0,81	1,8	849	353
H27R-SR-ODP-4501-6	560	42,1	992	93,6	0,82	2,0	909	369
H27R-SR-ODP-4502-6	630	47,3	992	93,8	0,82	2,0	939	404
H27R-SR-ODP-4503-6	710	53,2	992	94,0	0,82	2,0	1060	400
H27R-SR-ODP-4504-6	800	58,3	992	94,3	0,84	2,2	844	570
H27R-SR-ODP-5001-6	900	65,5	993	94,5	0,84	2,2	906	600
H27R-SR-ODP-5002-6	1000	72,6	993	94,7	0,84	2,2	973	618
H27R-SR-ODP-5003-6	1120	80,2	993	94,9	0,85	2,4	1062	625
H27R-SR-ODP-5004-6	1250	89,3	993	95,1	0,85	2,4	1137	660



Technical data H27R-SR-ODP series (10 KV)

Type	Rated output (kW)	Rated current (A)	Speed (r/min)	Efficiency (%)	Power factor (cosΦ)	Mmax/Mn	Rotor voltage (V)	Rotor current (A)
6 pole electric motors								
H27R-SR-ODP-5601-6	1400	99,8	994	95,3	0,85	2,5	1270	659
H27R-SR-ODP-5602-6	1600	112,6	994	95,4	0,86	2,5	1453	650
H27R-SR-ODP-5603-6	1800	126,4	994	95,6	0,86	2,5	1570	683
H27R-SR-ODP-5604-6	2000	140,2	994	95,8	0,86	2,5	1690	707
8 pole electric motors								
H27R-SR-ODP-4001-8	280	22,7	740	92,3	0,77	1,8	579	291
H27R-SR-ODP-4002-8	315	25,5	740	92,5	0,77	1,8	639	295
H27R-SR-ODP-4003-8	355	28,7	740	92,8	0,77	1,8	677	314
H27R-SR-ODP-4004-8	400	32,2	740	93,1	0,77	1,8	719	333
H27R-SR-ODP-4501-8	450	35,7	741	93,3	0,78	1,8	734	369
H27R-SR-ODP-4502-8	500	39,1	741	93,5	0,79	1,8	785	382
H27R-SR-ODP-4503-8	560	43,7	741	93,7	0,79	2,0	879	379
H27R-SR-ODP-4504-8	630	48,5	741	93,8	0,80	2,0	944	398
H27R-SR-ODP-5001-8	710	54,5	741	94,0	0,80	2,1	1016	417
H27R-SR-ODP-5002-8	800	60,5	742	94,2	0,81	2,1	1102	434
H27R-SR-ODP-5003-8	900	67,1	742	94,4	0,82	2,1	1197	405
H27R-SR-ODP-5004-8	1000	74,4	742	94,6	0,82	2,2	1277	475
H27R-SR-ODP-5601-8	1120	83,2	745	94,8	0,82	2,2	1400	483
H27R-SR-ODP-5602-8	1250	91,5	745	95,0	0,83	2,5	1375	545
H27R-SR-ODP-5603-8	1400	102,4	745	95,1	0,83	2,5	1448	582
H27R-SR-ODP-5604-8	1600	116,8	745	95,3	0,83	2,5	1548	619
10 pole electric motors								
H27R-SR-ODP-4501-10	280	24,1	591	92,0	0,73	1,8	682	246
H27R-SR-ODP-4502-10	315	26,7	591	92,1	0,74	1,8	727	259
H27R-SR-ODP-4503-10	355	27,7	591	92,3	0,74	1,8	779	272
H27R-SR-ODP-4504-10	400	33,3	591	92,5	0,75	1,8	734	329
H27R-SR-ODP-4505-10	450	36,8	593	92,9	0,76	1,8	787	344
H27R-SR-ODP-5001-10	500	40,8	593	93,1	0,76	1,8	848	355



Technical data for H27R-SR-ODP- series (10 KV)

Type	Rated output (kW)	Rated current (A)	Speed (r/min)	Efficiency (%)	Power factor (cosΦ)	Mmax/Mn	Rotor voltage (V)	Rotor current (A)
10 pole electric motors								
H27R-SR-ODP-5002-10	560	45,6	593	93,3	0,76	2,0	919	367
H27R-SR-ODP-5003-10	630	50,5	593	93,5	0,77	2,0	1006	378
H27R-SR-ODP-5004-10	710	56,0	594	93,8	0,78	2,0	1086	395
H27R-SR-ODP-5601-10	800	63,0	594	94,0	0,78	2,0	1149	422
H27R-SR-ODP-5602-10	900	70,8	595	94,1	0,78	2,0	1191	457
H27R-SR-ODP-5603-10	1000	78,5	595	94,3	0,78	2,2	1229	493
H27R-SR-ODP-5604-10	1120	86,6	595	94,5	0,79	2,2	1350	496
12 pole electric motors								
H27R-SR-ODP-4501-12	280	24,5	494	91,6	0,72	1,8	683	244
H27R-SR-ODP-4502-12	315	27,2	494	91,7	0,73	1,8	726	257
H27R-SR-ODP-4503-12	355	30,6	494	91,8	0,73	1,8	776	272
H27R-SR-ODP-5001-12	400	34,4	495	92,0	0,73	1,8	832	286
H27R-SR-ODP-5002-12	450	38,6	495	92,3	0,73	1,8	895	298
H27R-SR-ODP-5003-12	500	42,8	495	92,5	0,73	1,8	856	345
H27R-SR-ODP-5004-12	560	47,0	495	92,9	0,74	1,8	928	357
H27R-SR-ODP-5601-12	630	52,7	495	93,2	0,74	1,8	1012	368
H27R-SR-ODP-5602-12	710	58,5	496	93,5	0,75	1,8	1116	377
H27R-SR-ODP-5603-12	800	65,7	496	93,7	0,75	1,8	1219	393
H27R-SR-ODP-5604-12	900	73,8	496	93,9	0,75	1,8	1305	416



H27R-SR - Slip ring motors - modular type

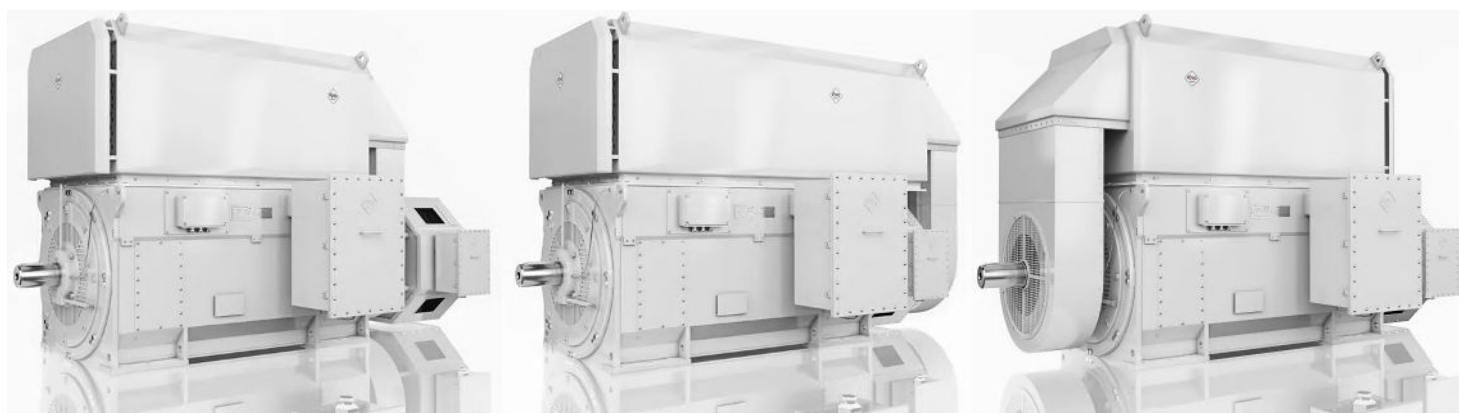


Electric motors H27R-SR series

Type of motor: H27R-SR (slip ring motor with wound rotor)
Frame sizes: 355 mm - 1000 mm
Power range: 132 kW - 20 000 kW
Voltage: 2000 V - 13 800 V
Frame material: welded steel frame
Protection: IP44, IP54, IP55
Cooling: IC611, IC616, IC666, IC86W, IC01, IC06

Mounting: B3, B35, V1, IM V15
Possible: Possible customized voltage of wound rotor
Accessories: PT100, PTC and other thermal elements can be chose to protect bearings and winding Heaters, anti-vibrations senzors and other

Gallery - 3D



Technical data H27R-SR series (10 KV)

Type	Rated output (kW)	Rated current (A)	Speed (r/min)	Efficiency (%)	Power factor (cosφ)	Mmax/Mn	Rotor voltage (V)	Rotor current (A)
4 pole electric motors								
H27R-SR-4001-4	280	20,9	1486	92,0	0,84	1,8	506	333
H27R-SR-4002-4	315	23,5	1486	92,1	0,84	1,8	553	342
H27R-SR-4003-4	355	26,4	1486	92,3	0,84	1,8	576	369
H27R-SR-4004-4	400	29,7	1487	92,5	0,84	1,8	633	377
H27R-SR-4005-4	450	33,0	1487	92,6	0,85	1,8	674	398
H27R-SR-4006-4	500	36,6	1488	92,7	0,85	1,8	640	473
H27R-SR-4501-4	560	40,4	1487	92,9	0,86	1,9	660	514
H27R-SR-4502-4	630	45,4	1487	93,1	0,86	1,9	700	544
H27R-SR-4503-4	710	51,0	1487	93,5	0,86	2,0	721	595
H27R-SR-4504-4	800	57,4	1488	93,6	0,86	2,0	794	608
H27R-SR-5001-4	900	64,3	1488	93,9	0,86	2,0	937	569
H27R-SR-5002-4	1000	71,4	1489	94,0	0,86	2,0	1018	583
H27R-SR-5003-4	1120	78,9	1489	94,2	0,87	2,1	1111	598
H27R-SR-5004-4	1250	87,8	1490	94,5	0,87	2,1	1168	644
H27R-SR-5601-4	1400	98,1	1490	94,7	0,87	2,2	1286	655
H27R-SR-5602-4	1600	112,0	1490	94,8	0,87	2,2	1430	672
H27R-SR-5603-4	1800	125,9	1490	94,9	0,87	2,4	1555	687
H27R-SR-5604-4	2000	139,7	1490	95,0	0,87	2,4	1640	725
6 pole electric motors								
H27R-SR-4001-6	280	21,1	988	92,2	0,83	1,8	551	304
H27R-SR-4002-6	315	23,7	988	92,4	0,83	1,8	601	313
H27R-SR-4003-6	355	26,7	989	92,6	0,83	1,8	809	264
H27R-SR-4004-6	400	29,6	989	92,8	0,84	1,8	846	284
H27R-SR-4501-6	450	33,3	989	93,0	0,84	1,9	906	298
H27R-SR-4502-6	500	36,9	990	93,2	0,84	1,9	934	321
H27R-SR-4503-6	560	40,7	990	93,5	0,85	1,9	1055	316
H27R-SR-4504-6	630	45,7	990	93,7	0,85	2,0	842	443
H27R-SR-5001-6	710	51,4	991	93,8	0,85	2,0	905	465
H27R-SR-5002-6	800	57,2	992	93,9	0,86	2,0	971	486
H27R-SR-5003-6	900	64,3	992	94,0	0,86	2,1	1053	505
H27R-SR-5004-6	1000	71,3	993	94,2	0,86	2,2	1062	562
H27R-SR-5601-6	1120	79,6	993	94,5	0,86	2,2	1160	577
H27R-SR-5602-6	1250	88,7	993	94,6	0,86	2,4	1271	583
H27R-SR-5603-6	1400	99,2	994	94,7	0,86	2,4	1365	609
H27R-SR-5604-6	1600	113,3	994	94,8	0,86	2,5	1487	644

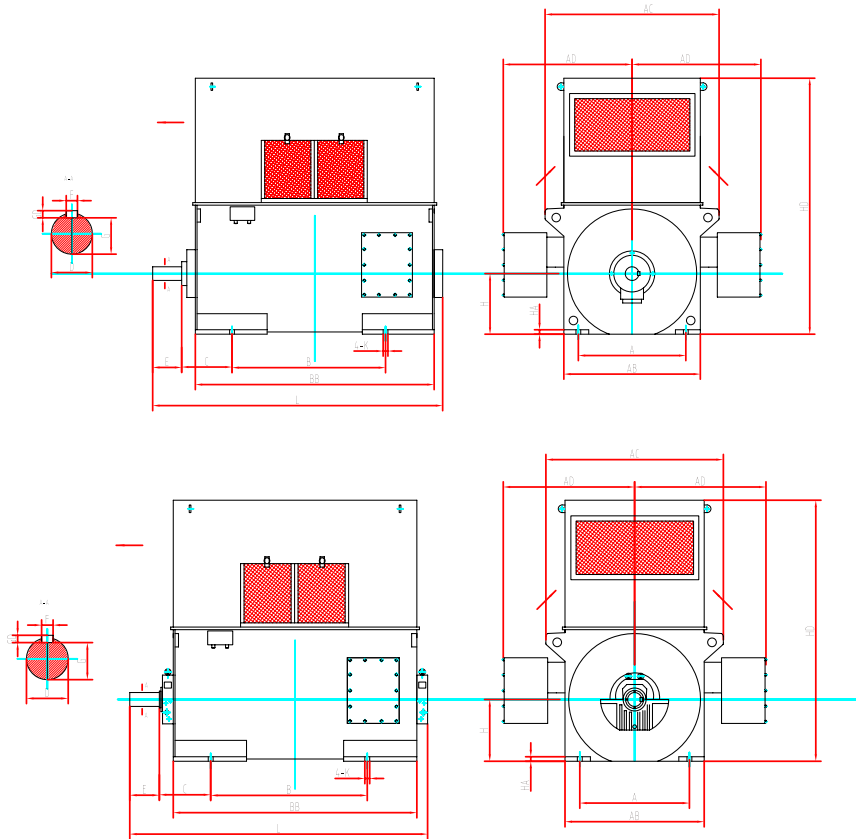


Technical data for H27R-SR- series (10 KV)

Type	Rated output (kW)	Rated current (A)	Speed (r/min)	Efficiency (%)	Power factor (cosΦ)	Mmax/Mn	Rotor voltage (V)	Rotor current (A)
8 pole electric motors								
H27R-SR-4501-8	280	24,1	740	92,0	0,73	1,8	677	250
H27R-SR-4502-8	315	27,0	740	92,2	0,73	1,8	718	263
H27R-SR-4503-8	355	30,0	740	92,4	0,74	1,8	733	291
H27R-SR-4504-8	400	33,6	741	92,8	0,74	1,8	784	305
H27R-SR-4505-8	450	37,7	741	93,1	0,74	1,8	878	302
H27R-SR-4506-8	500	41,8	741	93,3	0,74	1,8	942	313
H27R-SR-5001-8	560	46,1	742	93,5	0,75	1,8	1014	325
H27R-SR-5002-8	630	51,8	742	93,6	0,75	1,9	1101	337
H27R-SR-5003-8	710	56,8	742	93,7	0,77	1,9	1059	398
H27R-SR-5004-8	800	63,9	745	93,8	0,77	2,0	1152	409
H27R-SR-5601-8	900	70,0	745	94,0	0,79	2,2	1268	418
H27R-SR-5602-8	1000	74,7	745	94,2	0,82	2,2	1374	439
H27R-SR-5603-8	1120	83,5	745	94,4	0,82	2,3	1463	458
H27R-SR-5604-8	1250	92,9	745	94,7	0,82	2,3	1571	478
10 pole electric motors								
H27R-SR-4501-10	280	24,9	594	91,6	0,71	1,8	779	214
H27R-SR-4502-10	315	27,9	594	91,8	0,71	1,8	860	240
H27R-SR-4503-10	355	30,9	594	92,0	0,72	1,8	785	269
H27R-SR-5001-10	400	34,8	594	92,3	0,72	1,8	847	281
H27R-SR-5002-10	450	37,5	594	92,5	0,75	1,8	918	292
H27R-SR-5003-10	500	41,6	595	92,6	0,75	1,8	1002	296
H27R-SR-5004-10	560	44,6	595	92,9	0,78	1,9	960	344
H27R-SR-5601-10	630	50,1	595	93,0	0,78	1,9	1048	354
H27R-SR-5602-10	710	55,7	595	93,2	0,79	1,9	1153	362
H27R-SR-5603-10	800	62,6	595	93,4	0,79	1,9	1282	367
H27R-SR-5604-10	900	70,3	595	93,6	0,79	1,9	1374	391
12 pole electric motors								
H27R-SR-5001-12	280	25,2	493	91,5	0,70	1,8	775	213
H27R-SR-5002-12	315	28,4	493	91,6	0,70	1,8	832	223
H27R-SR-5003-12	355	31,9	494	91,9	0,70	1,8	894	233
H27R-SR-5004-12	400	34,4	494	92,0	0,73	1,8	858	275
H27R-SR-5005-12	450	38,1	495	92,2	0,74	1,8	929	285
H27R-SR-5601-12	500	41,7	495	92,3	0,75	2,0	1015	290
H27R-SR-5602-12	560	46,0	495	92,5	0,76	2,0	1117	295
H27R-SR-5603-12	630	51,6	495	92,7	0,76	2,0	1233	304
H27R-SR-5604-12	710	58,1	495	92,9	0,76	2,0	1347	315



Outline drawing and dimensions for series H27R-ODP (6kV) IP23 High Voltage 3-phase asynchronous motors

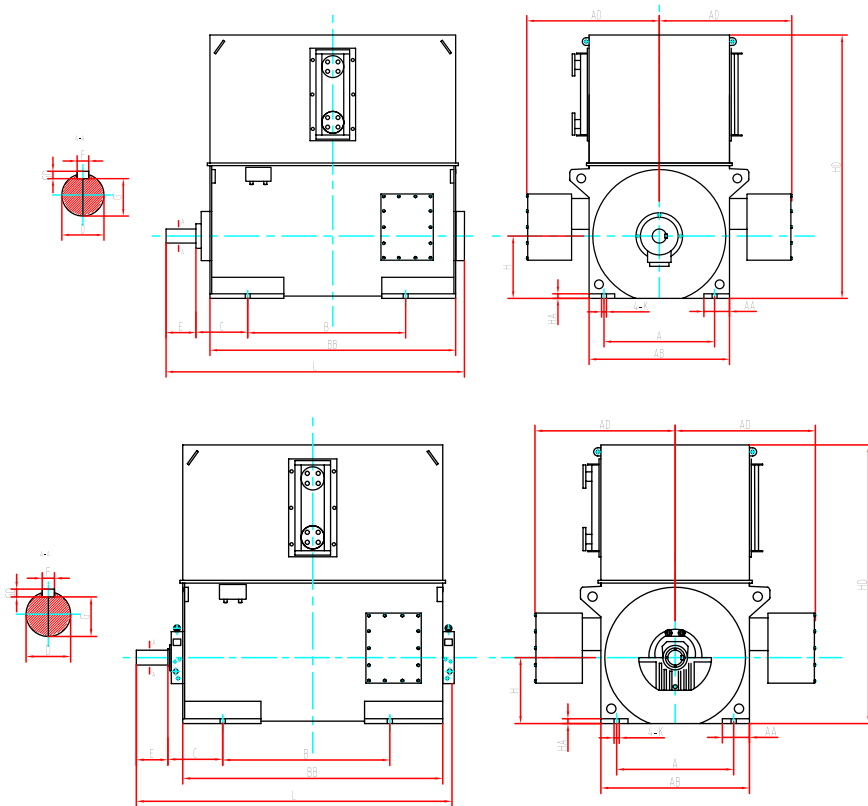


Frame size	Poles	A	B	C	D	E	F	G	H	K	AB	AC	AD	BB	GD	HA	HD	L
355	2	630	1000	315	80	170	22	71	355	28	800	1020	755	1400	14	25	1360	1740
	4-8				100	210	28	90							16			1790
400	2	710	1120	335	90	170	25	81	400		880	1120	800	1620	14		1590	1980
	4-12				110		100	16										
450	2	800	1250	400	100	210		90	450	35	980	1180	850	1730		30	1760	2310
	4			120		109	18	2180										
	6-12			355	130	250	32	119										
500	2	900	1400	560	110	210	28	100	500		1080	1320	900	1860	16	35	1960	2470
	4			140		128	20	2370										
	6-12			475	150	250	36	138										
560	2	1000	1600	560	130		32	119	560	42	1220	1460	980	2000	18	40	2160	2490
	4			160		147	22	2540										
	6-12			500	170	300	40	157										



Outline drawing and dimensions for series H27R-WC (6kV)

Totally enclosed Air-water cooling IP44/IP54 3-phase asynchronous motors

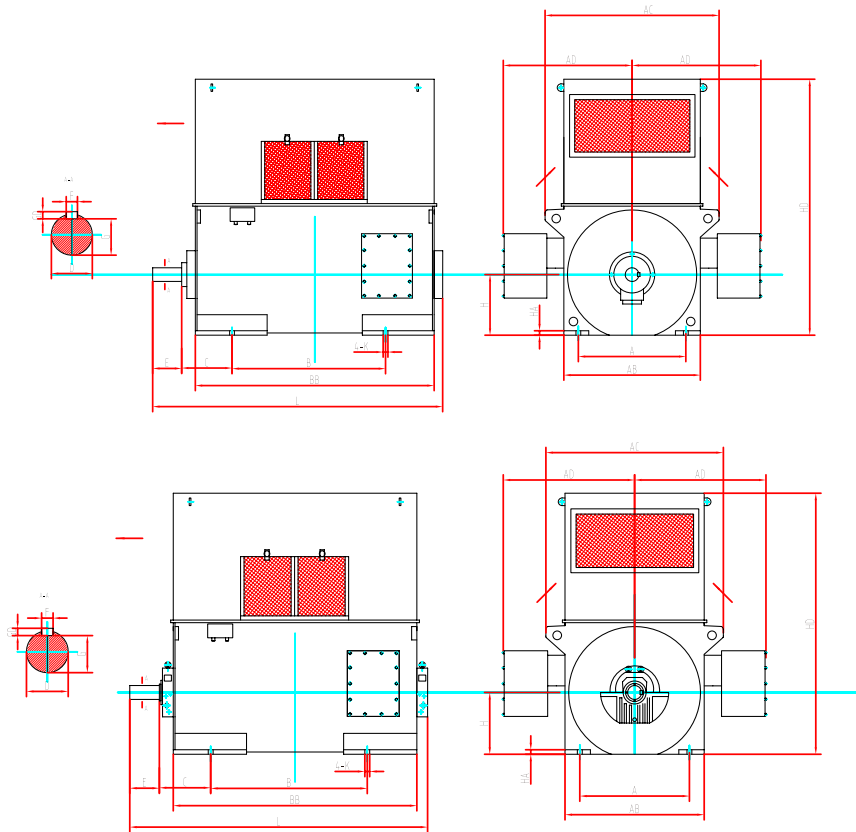


Frame size	Poles	A	B	C	D	E	F	G	H	K	AB	AC	AD	BB	GD	HA	HD	L
355	2	630	1000	315	80	170	22	71	355	28	800	1020	755	1400	14	25	1400	1740
	4-8				100	210	28	90							16			1790
400	2	710	1120	335	90	170	25	81	400		880	1120	800	1620	14		1500	1980
	4-12				110		100	16										
450	2	800	1250	400	100	210	28	90	35		980	1180	850	1730	16	30	1550	2310
	4			120		109	450	18							2180			
	6-12			355	130	250	32	119										
500	2	900	1400	560	110	210	28	100	500		1080	1320	900	1860	16	35	1730	2470
	4			140		128	500	20							2370			
	6-12			475	150	250	36	138							42			
560	2	1000	1600	560	130		32	119	560		1220	1460	980	2000	18	40	1950	2740
	4			160		147	560	22							2490			
	6-12			500	170	300	40	157										2540



Outline drawing and dimensions for series H27R (6kV)

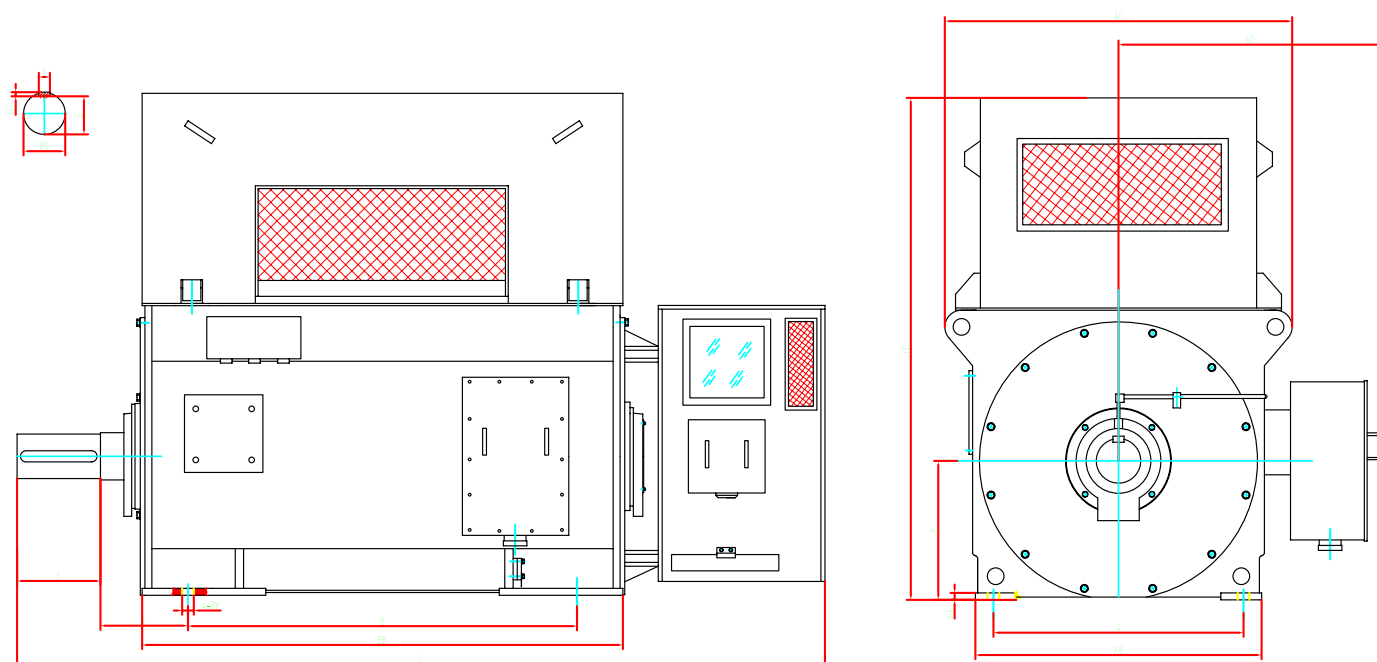
Totally enclosed Air-Air cooling IP44/IP54 3-phase asynchronous motors



Frame size	Poles	A	B	C	D	E	F	G	H	K	AB	AC	AD	BB	GD	HA	HD	L		
355	2	630	1000	315	80	170	22	71	355	28	800	1020	755	1400	14	25	1420	2225		
	4-8				100	210	28	90							16			2075		
400	2	710	1120	335	90	170	25	81	400		880	1120	800	1620	14		1460	2280		
	4-12				110		28	100							16			2150		
450	2	800	1250	400	100	210		90	450	35						30		2505		
	4			355	120		32	109										18	1660	2455
	6-12				130	250		119											2255	
500	2	900	1400	560	110	210	28	100	500		1080	1320	900	1860	16		1860	2895		
	4			475	130		32	119							18			35	2795	
	6-12				140		36	128							20				2595	
560	2	1000	1600	560	130		32	119	560	42					18		2200	3150		
	4			500	150		36	138							20			40	3010	
	6-12				160	300	40	147							22				2805	



Outline drawing and dimensions for series H27R-SR-ODP (6kV) IP23 3-phase asynchronous motors

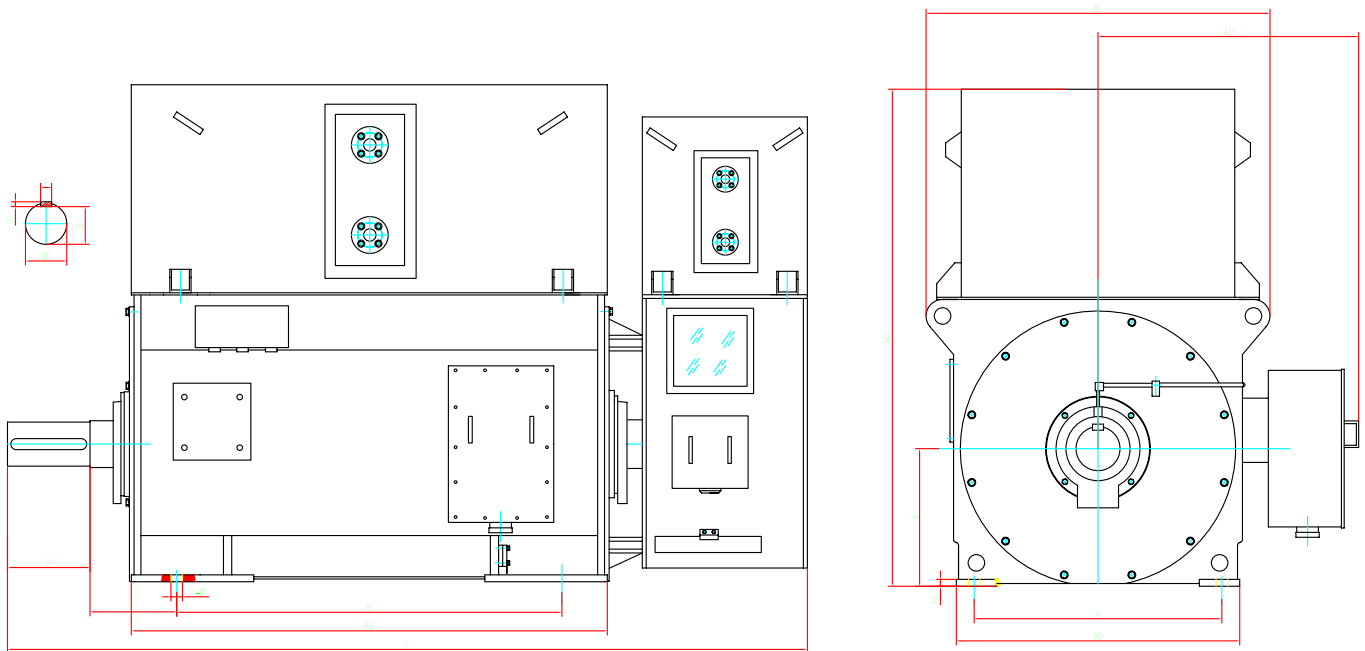


Frame size	A	AB	AC	AD	B	BB	C	D	E	F	G	GD	H	HA	HD	K	L
355-4-8	630	800	1020	755	1000	1400	315	100	210	28	90	16	355	25	1360	28	2250
400-4-12	710	880	1120	800	1120	1620	335	110	210	28	100	16	400	30	1590	35	2420
450-4-12	800	980	1180	850	1250	1730	335	130	250	32	119	18	450	30	1760	35	2640
500-4-12	900	1080	1320	900	1400	1860	475	150	250	36	138	20	500	35	1960	42	3020
560-4-12	1000	1220	1460	980	1600	2000	500	170	300	40	157	22	560	40	2160	42	3250



Outline drawing and dimensions for series H27R-SR-WC (6kV)

Totally enclosed Air-Water cooling IP44/IP54 3-phase asynchronous motors

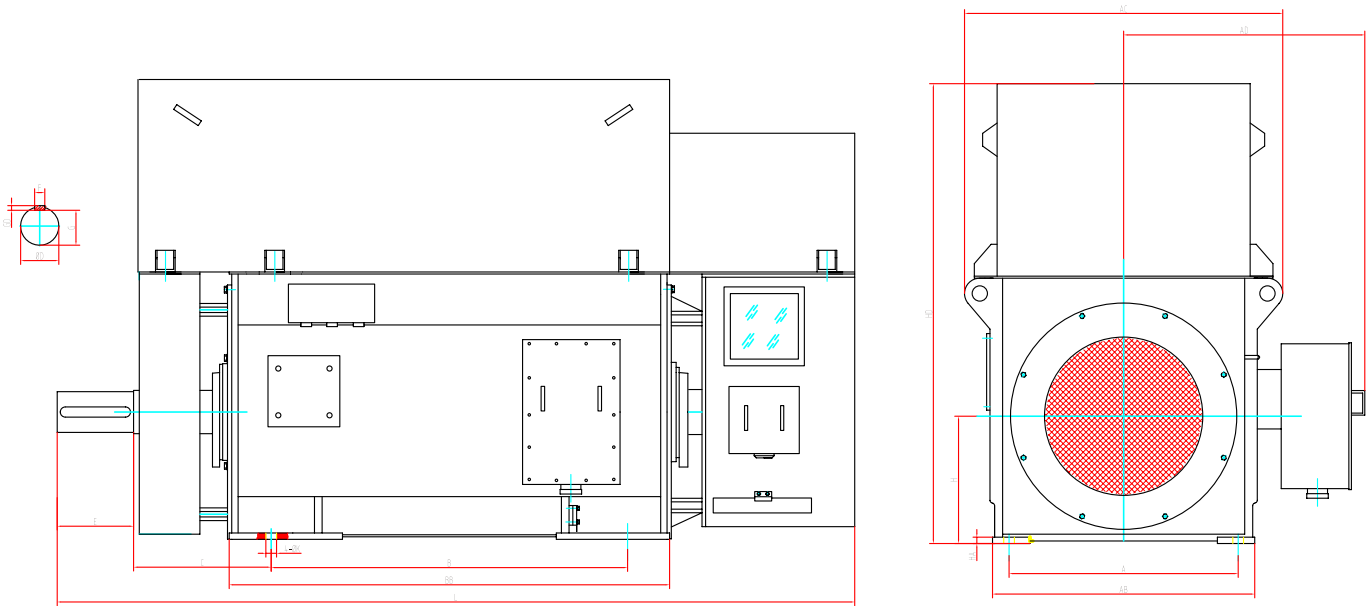


Frame size	A	AB	AC	AD	B	BB	C	D	E	F	G	GD	H	HA	HD	K	L
355-4-8	630	800	1020	755	1000	1400	315	100	210	28	90	16	355	25	1400	28	2250
400-4-10	710	880	1120	800	1120	1620	335	110	210	28	100	16	400	30	1500	35	2420
450-4-12	800	980	1180	850	1250	1730	335	130	250	32	119	18	450	30	1550	35	2640
500-4-12	900	1080	1320	900	1400	1860	475	150	250	36	138	20	500	35	1730	42	3020
560-4-12	1000	1220	1460	980	1600	2000	500	170	300	40	157	22	560	40	1950	42	3450



Outline drawing and dimensions for series H27R-SR (6kV)

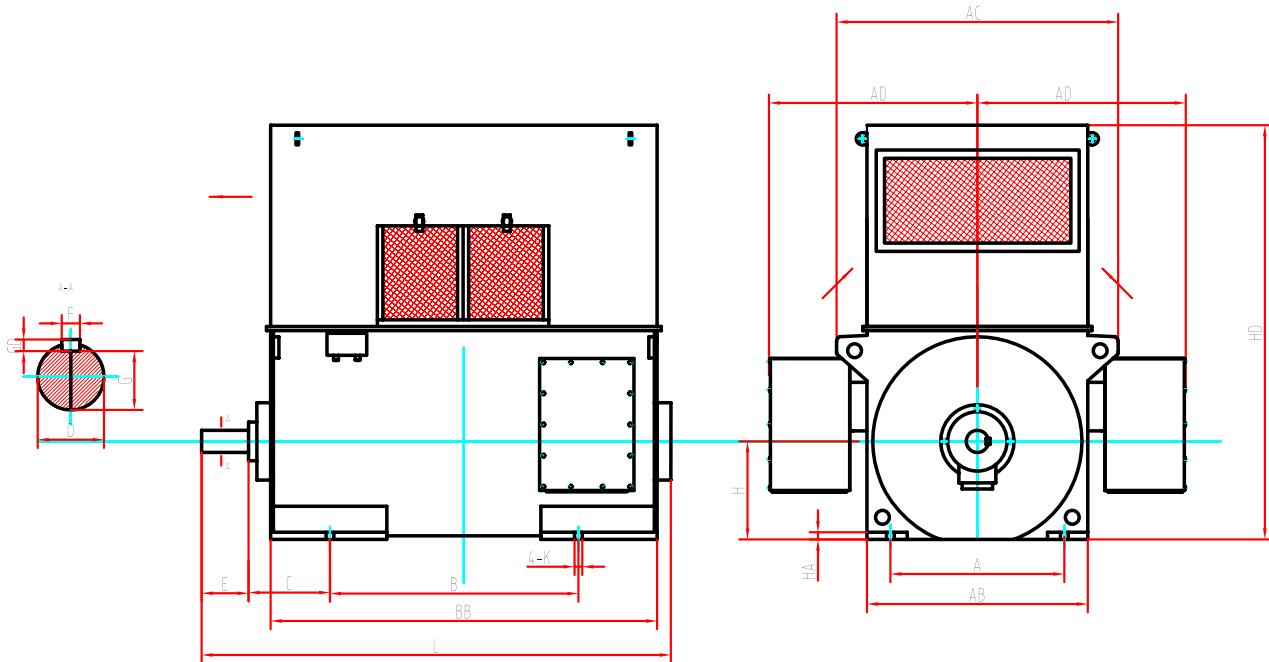
Totally enclosed Air-Air cooling IP44/IP54 3-phase asynchronous motors



Frame size	A	AB	AC	AD	B	BB	C	D	E	F	G	GD	H	HA	HD	K	L
355-4-8	630	800	1020	755	1000	1400	560	100	210	28	90	16	355	25	1500	28	2550
400-4-8	710	880	1120	800	1120	1620	630	110	210	28	100	16	400	30	1700	35	2750
450-4-12	800	980	1180	850	1250	1730	710	120	210	32	109	18	450	30	1900	35	3150
500-4-12	900	1080	1320	900	1400	1860	800	140	250	36	128	20	500	35	2200	42	3450
560-4-12	1000	1220	1460	980	1600	2000	800	160	300	40	147	22	560	40	2400	42	3850



Outline drawing and dimensions for series H27R-ODP (10kV) IP23 3-phase asynchronous motors

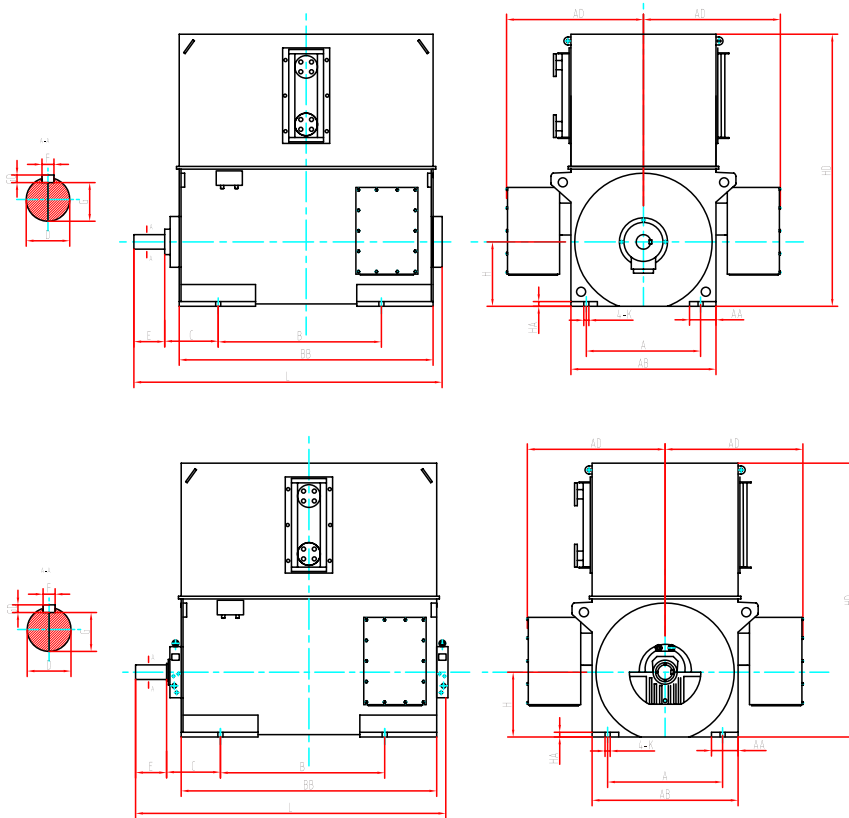


Frame size	Poles	A	B	C	D	E	F	G	H	K	AB	AC	AD	BB	GD	HA	HD	L
355	2	630	1000	315	80	170	22	71	355	28	800	1020	900	1400	14	25	1360	1740
	4				100	210	28	90							16			1790
400	2	710	1120	335	90	170	25	81	400	35	880	1120	950	1620	14	30	1590	1980
	4-10				110	210	28	100							16			2010
450	2	800	1250	400	90	170	25	81	450	35	980	1180	1000	1730	14	30	1760	2310
	4-12			355	110	210	28	100							16			2180
500	2	900	1400	560	100	210	28	90	500	42	1080	1320	1050	1860	16	35	1960	2470
	4			475	120	210	32	109							18			2470
	6-12			130	250	32	119	18							2370			
560	2	1000	1600	560	130	250	32	119	560	42	1220	1460	1120	2000	18	40	2160	2740
	4			500	150	250	36	138							20			2490
	6-12			160	300	40	147	22							2540			



Outline drawing and dimensions for series H27R-WC (10kV)

Totally enclosed Air-Water cooling IP44/IP54 3-phase asynchronous motors

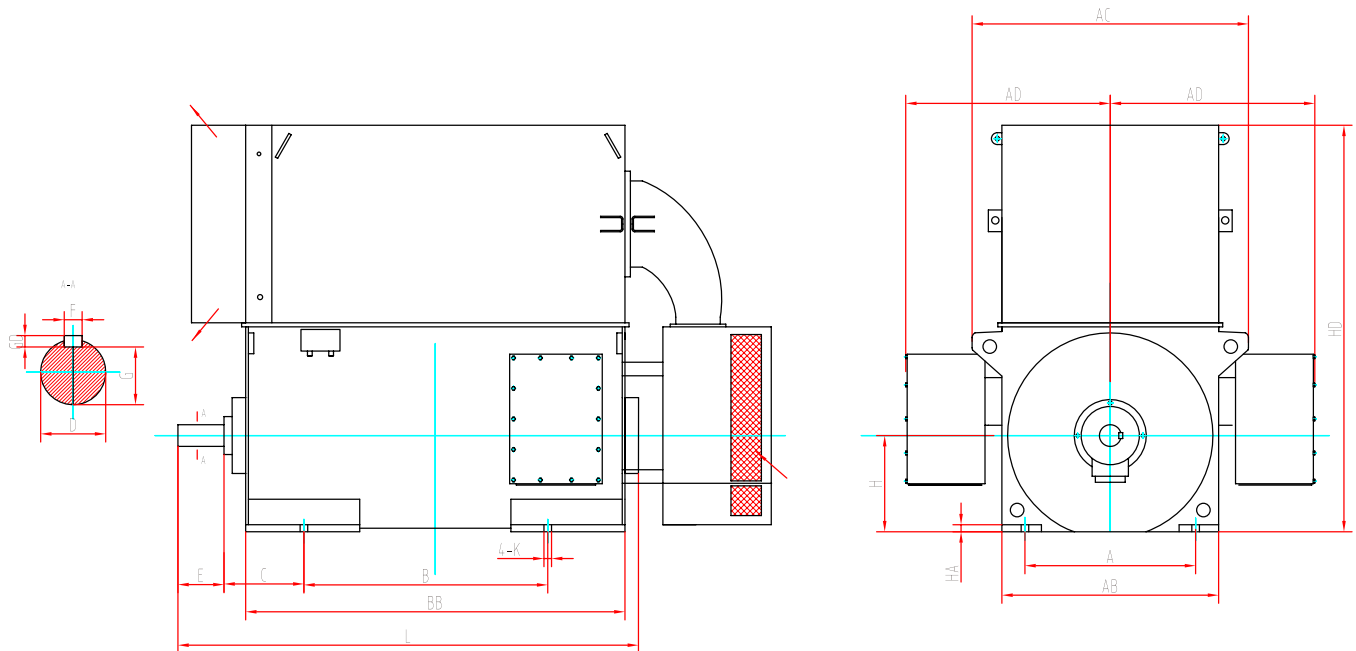


Frame size	Poles	A	B	C	D	E	F	G	H	K	AB	AC	AD	BB	GD	HA	HD	L
355	2	630	1000	315	80	170	22	71	355	28	800	1020	900	1400	14	25	1400	1740
	4				100	210	28	90							16			1790
400	2	710	1120	335	90	170	25	81	400	35	880	1120	950	1620	14	30	1500	1980
	4-10				110	210	28	100							16			2010
450	2	800	1250	400	90	170	25	81	450	35	980	1180	1000	1730	14	30	1550	2310
	4-12			355	110	210	28	100							16			2180
500	2	900	1400	560	100	210	28	90	500	42	1080	1320	1050	1860	16	35	1730	2470
	4			475	120	210	32	109							18			2470
	6-12			130	250	32	119	18							2370			
560	2	1000	1600	560	130	250	32	119	560	42	1220	1460	1120	2000	18	40	1950	2740
	4			500	150	250	36	138							20			2490
	6-12			160	300	40	147	22							2540			



Outline drawing and dimensions for series H27R (10kV)

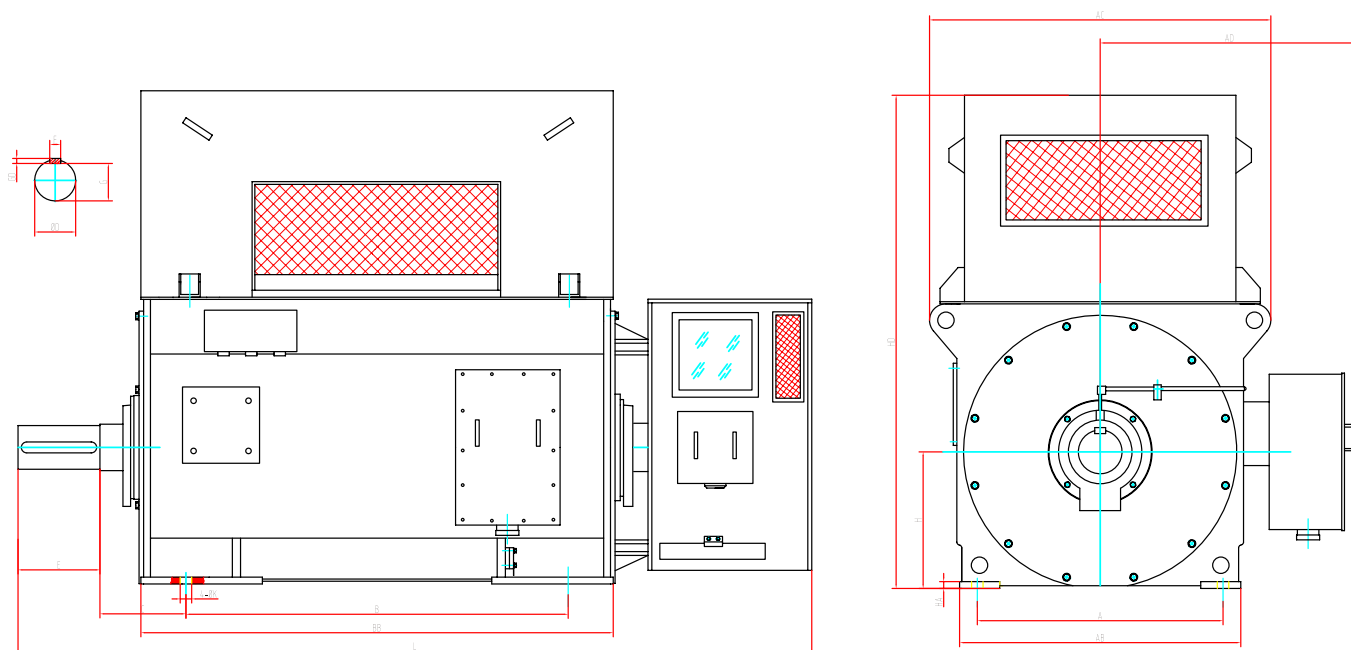
Totally enclosed Air-Air cooling IP44/IP54 3-phase asynchronous motors



Frame size	Poles	A	B	C	D	E	F	G	H	K	AB	AC	AD	BB	GD	HA	HD	L
355	2	630	1000	315	80	170	22	71	355	28	800	1020	900	1400	14	25	1420	2225
	4				100	210	28	90							16			2075
400	2	710	1120	335	90	170	25	81	400		880	1120	950	1620	14		1460	2280
	42102				110	210	28	100							16			2150
450	2	800	1250	400	90	170	25	81	450	35	980	1180	1000	1730	14	30	1660	2505
	4			355	110	210	28	100							16			2455
																		2255
500	2	900	1400	560	100	210		90	500		1080	1320	1050	1860	16		1850	2895
	4			475	120	210	32	109							18			35
																		2595
560	2	1000	1600	560	130	250	32	119	560	42	1220	1460	1120	2000	18	40	2200	3150
	4			500	150	250	36	138							20			3010
																		2805
																		2805



Outline drawing and dimensions for series H27R-SR-ODP (10kV) IP23 3-phase asynchronous motors

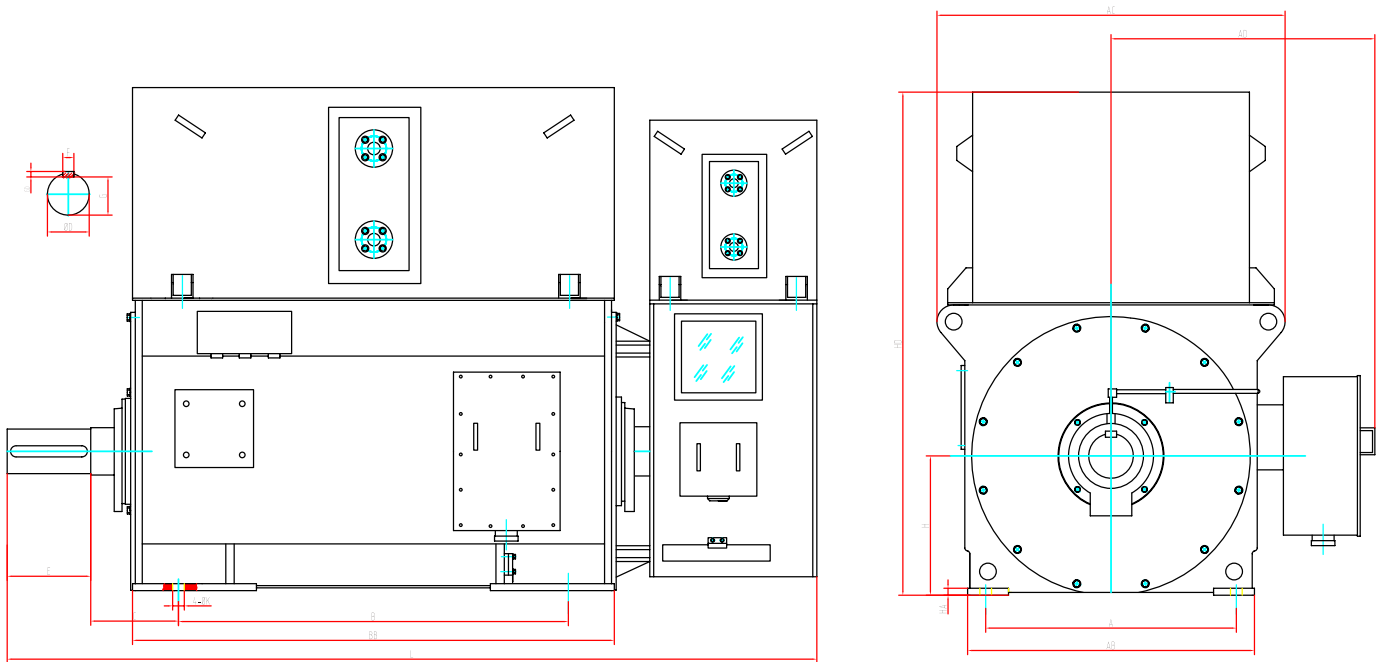


Frame size	A	AB	AC	AD	B	BB	C	D	E	F	G	GD	H	HA	HD	K	L
355-4	630	800	1020	900	1000	1400	315	100	210	28	90	16	355	25	1360	28	2250
400-4-8	710	880	1120	950	1120	1620	335	110	210	28	100	16	400	30	1590	35	2420
450-4-12	800	980	1180	1000	1250	1730	335	120	210	32	109	18	450	30	1760	35	2640
500-4-12	900	1080	1320	1050	1400	1860	475	140	250	36	128	20	500	35	1960	42	3020
560-4-12	1000	1220	1460	1120	1600	2000	500	160	300	40	147	22	560	40	2160	42	3450



Outline drawing and dimensions for series H27R-SR-WC (10kV)

Totally enclosed Air-Water cooling IP44/IP54 3-phase asynchronous motors

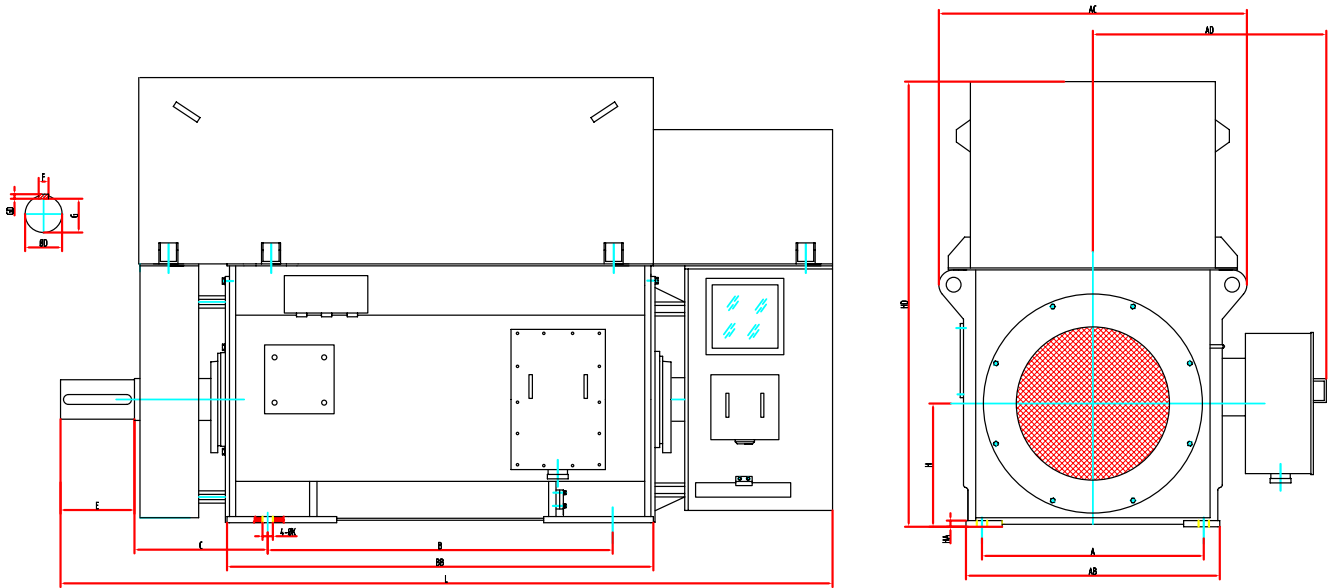


Frame size	A	AB	AC	AD	B	BB	C	D	E	F	G	GD	H	HA	HD	K	L
355-4	630	800	1020	900	1000	1400	315	100	210	28	90	16	355	25	1400	28	2250
400-4-8	710	880	1120	950	1120	1620	335	110	210	28	100	16	400	30	1500	35	2420
450-4-12	800	980	1180	1000	1250	1730	335	120	210	32	109	18	450	30	1550	35	2640
500-4-12	900	1080	1320	1050	1400	1860	475	140	250	36	128	20	500	35	1730	42	3020
560-4-12	1000	1220	1460	1120	1600	2000	500	160	300	40	147	22	560	40	1950	42	3450



Outline drawing and dimensions for series H27R-SR (10kV)

Totally enclosed Air-Air cooling IP44/IP54 3-phase asynchronous motors



Frame size	A	AB	AC	AD	B	BB	C	D	E	F	G	GD	H	HA	HD	K	L
400-4-8	710	880	1120	950	1120	1620	630	110	210	28	100	16	400	30	1700	35	2750
450-4-10	800	980	1180	1000	1250	1730	710	110	210	28	100	16	450	30	1900	35	3150
500-4-12	900	1080	1320	1050	1400	1860	800	130	250	32	119	18	500	35	2200	42	3450
560-4-12	1000	1220	1460	1120	1600	2000	800	160	300	40	147	22	560	40	2400	42	3650





Address

VYBO ELECTRIC a. s. | tel: +421 944 105 361
Radlinského 18 | e-mail: mv@vyboelectric.eu
052 01 Spišská Nová Ves
Slovenská republika

www.vyboelectric.com



SOLUTIONS FOR INDUSTRY

BUREAU VERITAS
Certification



VYBO Electric a.s.
Radlinského 18, 052 01 Spišská Nová Ves
Slovak Republic

Bureau Veritas Certification Holding SAS – UK Branch certifies that the Management System of the above organisation has been audited and found to be in accordance with the requirements of the management system standards detailed below

ISO 14001: 2015

Scope of certification

MANUFACTURE AND SALE OF ELECTRIC MOTORS, SALES AND DEVELOPMENT OF VARIABLE FREQUENCY DRIVES.

Original cycle start date: 18.05.2022
Expiry date of previous cycle: N/A
Certification Audit date: 31.03.2022
Certification cycle start date: 18.05.2022

Subject to the continued satisfactory operation of the organization's Management System, this certificate expires on: 17.05.2025

Certificate No. SK-U22 055E Version: 1 Issue date: 18.05.2022

Certification body address: 5th Floor, 86 Prescott Street, London E1 8HG, United Kingdom
Local office: Plynárska 7/B, BRATISLAVA 821 09, Slovak Republic



Further clarifications regarding the scope of this certificate and the applicability of the management system requirements may be obtained by consulting the organisation. To check this certificate validity please call: +421 2 2341 4165

Page 1 of 1



Bureau Veritas Certification

Certificate

Awarded to

VYBO Electric a.s.
Radlinského 18, 052 01 Spišská Nová Ves
Slovak Republic

BUREAU VERITAS CERTIFICATION (Z) s.r.o. certifies that the Management System of the above organisation has been assessed and found to be in accordance with the requirements of the management system standard detailed below

Standard

ISO 45001:2018

Scope of supply

MANUFACTURE AND SALE OF ELECTRIC MOTORS, SALES AND DEVELOPMENT OF VARIABLE FREQUENCY DRIVES.

Original Approval Date: 18-05-2022
Expiry date of previous cycle: N/A
Certification Cycle Start Date: 18-05-2022
Certification Cycle End Date: 17-05-2025
Subject to the continued satisfactory operation of the organisation's Management System, this certificate is valid until: 17-05-2025

To check this certificate validity please call: +420 210 090 215

Further clarifications regarding the scope of this certificate and the applicability of the management system requirements may be obtained by consulting the organisation.

Version 1 Issue Date: 18-05-2022
Certificate Number: CZF - 2206117

ISSUING OFFICE ADDRESS: BUREAU VERITAS CERTIFICATION CZ, s.r.o., Obchodní 1, 143 02 Praha 4, Czech Republic

1/1

ZERTIFIKAT ◆ CERTIFICATE ◆ 認證證書 ◆ CERTIFICADO ◆ CERTIFICAT



CERTIFICATE

TÜV SÜD Slovakia s.r.o.
Certification Body for Management Systems
Accredited by SNAS
Certificate on accreditation No. Q-011
certifies that



VYBO Electric a.s.
Radlinského 18
SK – 052 01 Spišská Nová Ves
ICO: 45 537 143

has established and applies
a Quality Management System for

**Manufacture and sale of electric motors.
Sales and development of variable frequency drives.**

An audit was performed, Report No. 2264/40/22/Q/AS/C
Proof has been furnished that the requirements
according to

STN EN ISO 9001:2016

are fulfilled. The certificate is valid from 2022-04-14 until 2025-04-13
Certificate Registration No. Q 2264-1

Bratislava, 2022-04-14

TÜV SÜD Slovakia s.r.o.
Certification Body for Management Systems
Member of Group TÜV SÜD
Jaskovka 6, 821 03 Bratislava

F-Q-019/26

Certificate SK22/3701

The management system of

VYBO Electric a.s.
Radlinského 18
052 01 Spišská Nová Ves, Slovakia

has been assessed and certified as meeting the requirements of

EN ISO 50001:2018

For the following activities

**Production & sales of electric motors.
Sales & development of variable frequency drives.**

Further clarifications regarding the scope of this certificate and the applicability of EN ISO 50001:2018 requirements may be obtained by consulting the organisation.

This certificate is valid from 7 April 2022 until 6 April 2025
and remains valid subject to satisfactory surveillance audits.
Recertification audit due a minimum of 60 days
before the expiration date.
Issue 1. Certified with SGS since 7 April 2022

Authorised by

Ing. Róbert Bodnár
Director
SGS Slovakia spol. s r. o.
Kýzucká 14, 040 11 Košice, Slovakia
t +421 55 783 61 11, f +421 55 783 61 20, www.sgs.com

Page 1 of 1



This document is issued by the Company subject to its General Conditions of Certification. Services accessible at www.sgs.com and conditions. Attention is drawn to the limitations of liability, indemnification and jurisdictional issues established therein. The authenticity of this document may be verified at <http://www.sgs.com/certificates/certificate>. Any unauthorised alteration, forgery or falsification of the content or appearance of this document is unlawful and offences may be prosecuted to the fullest extent of the law.